



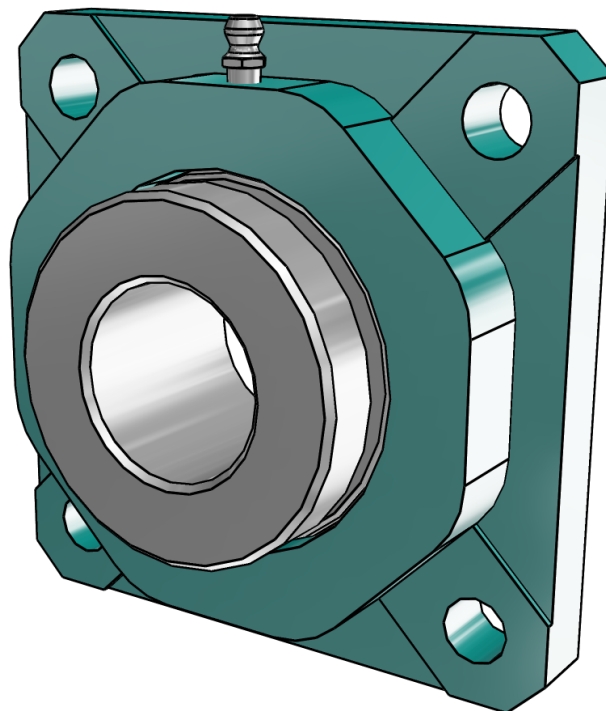
128784

DL Normal Duty 4-Bolt Flange Bearings

BALDOR • DODGE

3D View

To activate the interactive 3D view, you must trust this document (see hint on the top) in Adobe Acrobat and click on the question mark.



Zoom

Moves you toward or away from objects in the scene when you drag vertically. You can also zoom with the hand tool by holding down Shift as you drag.

Pan

Moves the model vertically and horizontally only. You can also pan with the hand tool: Ctrl-drag.

Rotate

Turns 3D objects around relative to the screen. How the objects move depends on the starting view, where you start dragging and the direction in which you drag.

3D PDF DATASHEET



 eCATALOGsolutions



 BIM catalogs.net



 PARTsolutions



Create Your Individual 3D PDF Datasheet ▶

Learn How to Create Your Mechanical Product Catalog ▶

Learn How to Create Your BIM Product Catalog ▶

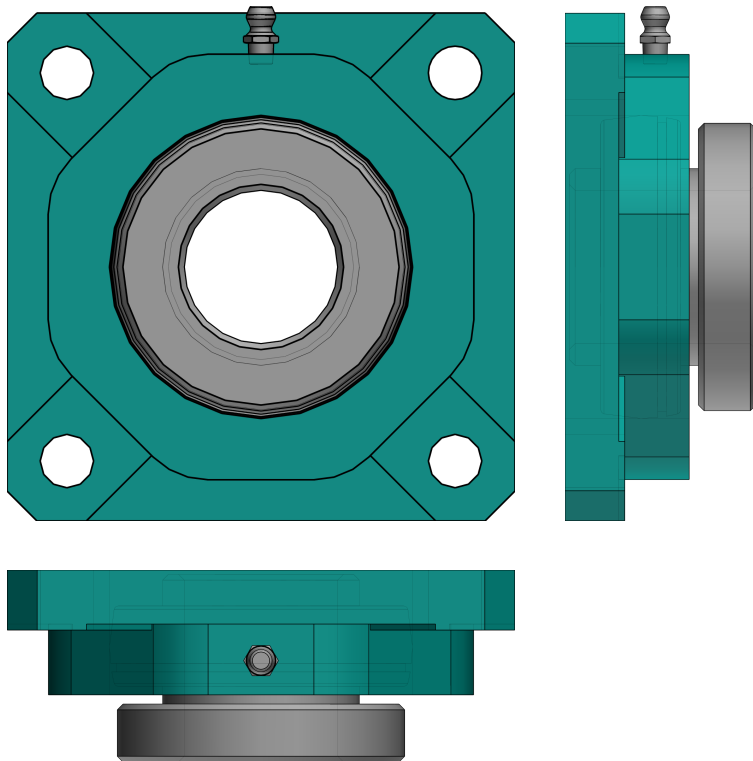
Reduce Your Costs in Engineering and Purchasing ▶

128784

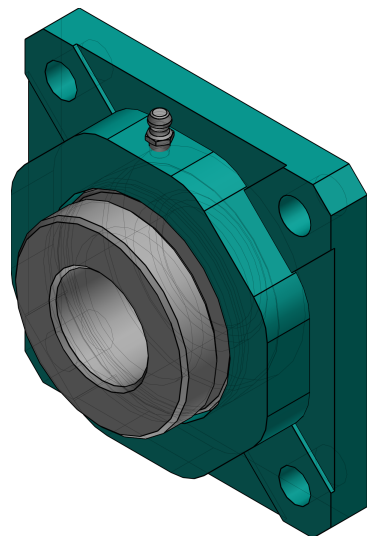
DL Normal Duty 4-Bolt Flange Bearings

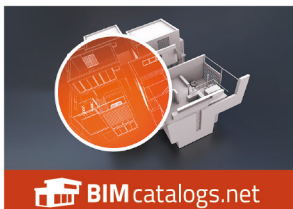


2D Derivation



ISO View



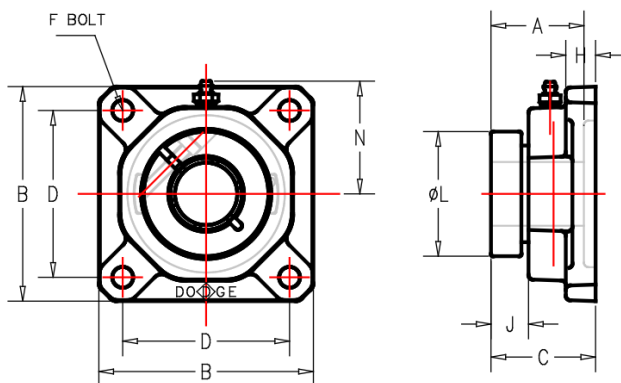


128784

DL Normal Duty 4-Bolt Flange Bearings



Technical Drawings



NOTES:

GREASE USED:
EXXON UNIREX N2

SEAL TYPE:
DUAL GUARD LIP SEAL
W/ RUBBERIZED FLINGER

3D PDF DATASHEET



 eCATALOG solutions



 BIM catalogs.net



 PART solutions



Create Your Individual 3D PDF Datasheet 

Learn How to Create Your Mechanical Product Catalog 

Learn How to Create Your BIM Product Catalog 

Reduce Your Costs in Engineering and Purchasing 

128784

DL Normal Duty 4-Bolt Flange Bearings

BALDOR • DODGE

Technical Data

SERIES (Series)	207
SS (Shaft Size / INCH)	1-7/16
PN (Part Number)	128784
DESCRIPTION (Description)	F4B-DL-107
LF (Lubrication Feature)	RE-LUBE
W (Weight / lbs)	4.3
A (A / INCH)	1.75
B (B / INCH)	4.75
C (C / INCH)	1.79
D (D / INCH)	3.63
F (F / INCH)	1/2
H (H / INCH)	0.56
J (J / INCH)	0.57
L (L / INCH)	2.69
N (N / INCH)	2.44

3D PDF DATASHEET



 eCATALOG solutions



 BIM catalogs.net



 PART solutions



Create Your Individual 3D PDF Datasheet ▶

Learn How to Create Your Mechanical Product Catalog ▶

Learn How to Create Your BIM Product Catalog ▶

Reduce Your Costs in Engineering and Purchasing ▶

128784

DL Normal Duty 4-Bolt Flange Bearings



Bill of Materials

N°	Name	Description	Amount
1	assembly	128784	1
1.1	f4b_dl_flange_bodi	128784	1
1.2	dl_bearing_ins_i	128654	1
1.3	405020c	405020c	1