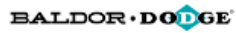


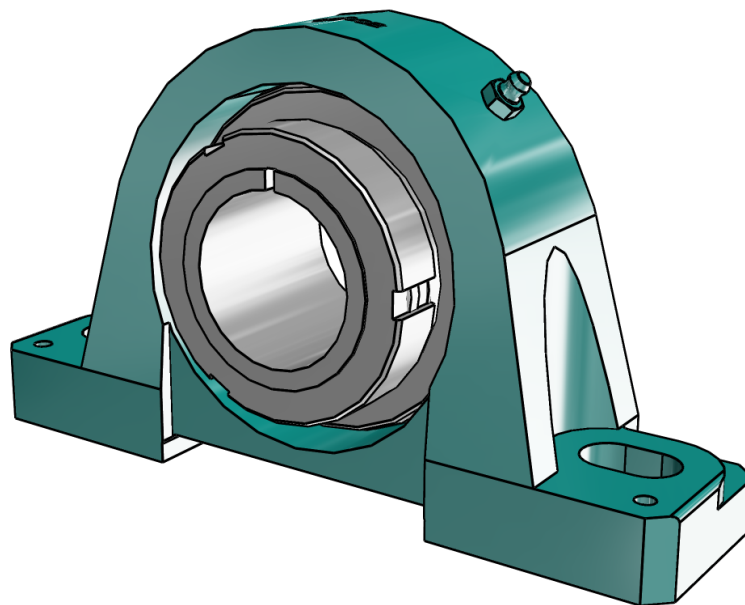
## 129165

## GT Normal Duty Pillow Blocks



## 3D View

To activate the interactive 3D view, you must trust this document (see hint on the top) in Adobe Acrobat and click on the question mark.


**Zoom**

Moves you toward or away from objects in the scene when you drag vertically. You can also zoom with the hand tool by holding down Shift as you drag.

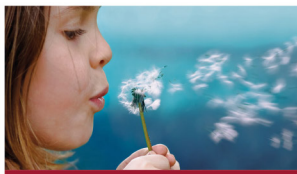
**Pan**

Moves the model vertically and horizontally only. You can also pan with the hand tool: Ctrl-drag.

**Rotate**

Turns 3D objects around relative to the screen. How the objects move depends on the starting view, where you start dragging and the direction in which you drag.

# 3D PDF DATASHEET



eCATALOGsolutions



BIM catalogs.net



PARTsolutions



Create Your Individual 3D PDF Datasheet



Learn How to Create Your Mechanical Product Catalog



Learn How to Create Your BIM Product Catalog



Reduce Your Costs in Engineering and Purchasing

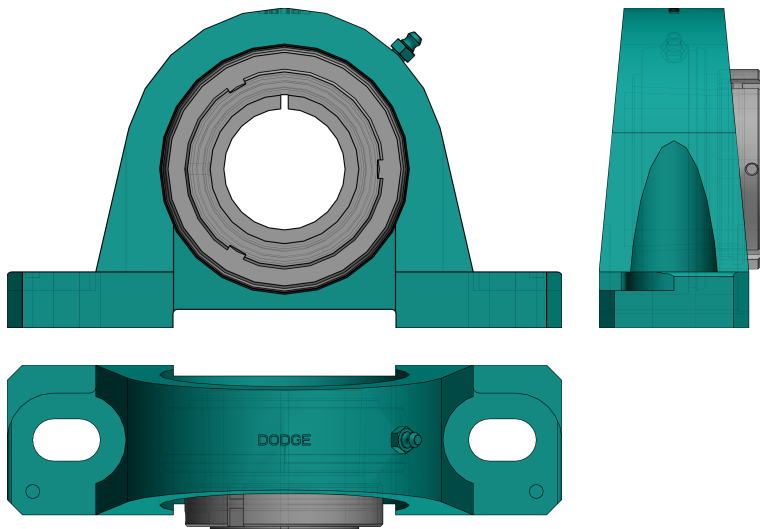


## 129165

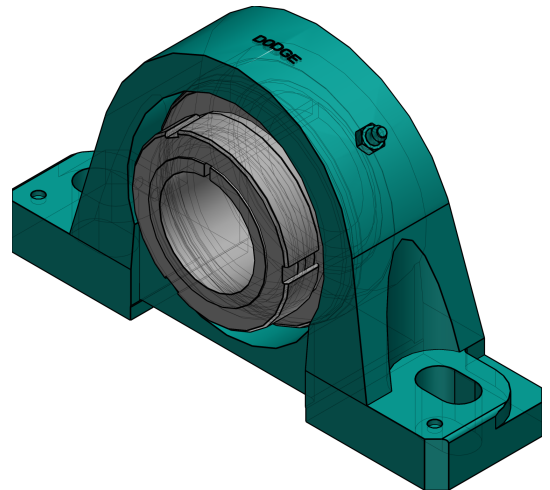
### GT Normal Duty Pillow Blocks

BALDOR • DODGE

#### 2D Derivation



#### ISO View





Create Your Individual 3D PDF Datasheet



Learn How to Create Your Mechanical Product Catalog



Learn How to Create Your BIM Product Catalog



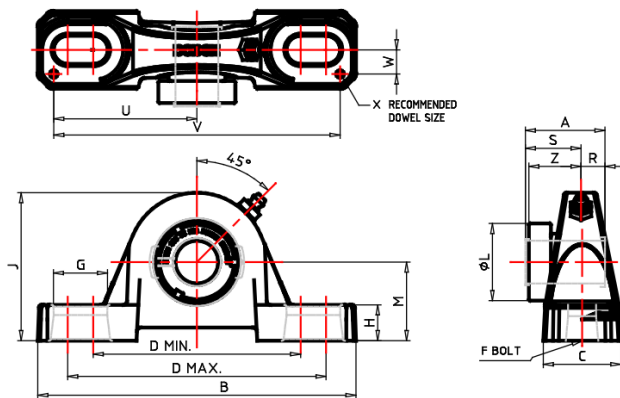
Reduce Your Costs in Engineering and Purchasing



## 129165 GT Normal Duty Pillow Blocks

BALDOR • DODGE

### Technical Drawings



NOTES:

GREASE USED:  
EXXON UNIREX N2

SEAL TYPE:  
DUAL GUARD LIP SEAL  
W/ RUBBERIZED FLINGER



 eCATALOG solutions



 BIM catalogs.net



 PART solutions



Create Your Individual 3D PDF Datasheet ▶

Learn How to Create Your Mechanical Product Catalog ▶

Learn How to Create Your BIM Product Catalog ▶

Reduce Your Costs in Engineering and Purchasing ▶

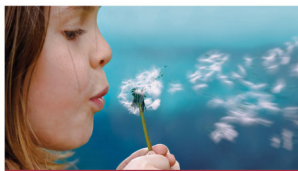
## 129165 GT Normal Duty Pillow Blocks



### Technical Data

SERIES (Series)	209
SS (Shaft Size / INCH)	1-5/8
PN (Part No.)	129165
DESCRIPTION (Description)	P2B-GT-110L
A (A / INCH)	1-27/32
B (B / INCH)	7-7/16
C (C / INCH)	2
DMIN ( / INCH)	5-1/2
DMAX ( / INCH)	6-3/16
F (Bolt Diameter / INCH)	1/2
G (G / INCH)	29/32
H (H / INCH)	3/4
J (J / INCH)	4-9/32
L (L / INCH)	2-43/64
M (M / INCH)	2-1/8
R (R / INCH)	21/32
S (S / INCH)	1-3/16
U (U / INCH)	3-3/8
V (V / INCH)	6-3/4
W (W / INCH)	11/16
X (X / INCH)	3/16
Z (Z / INCH)	1-5/32

# 3D PDF DATASHEET



 eCATALOG solutions




 BIM catalogs.net



 PART solutions



Create Your Individual 3D PDF Datasheet 

Learn How to Create Your Mechanical Product Catalog 

Learn How to Create Your BIM Product Catalog 

Reduce Your Costs in Engineering and Purchasing 

## 129165 GT Normal Duty Pillow Blocks



### Bill of Materials

N°	Name	Description	Amount
1	assembly	129165	1
1.1	B	129426	1
1.2	GTAGTMA_LNA_I	129915	1
1.3	INS_GT_I	129522	1