



Create Your Individual 3D PDF Datasheet



Learn How to Create Your Mechanical Product Catalog



Learn How to Create Your BIM Product Catalog

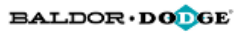


Reduce Your Costs in Engineering and Purchasing



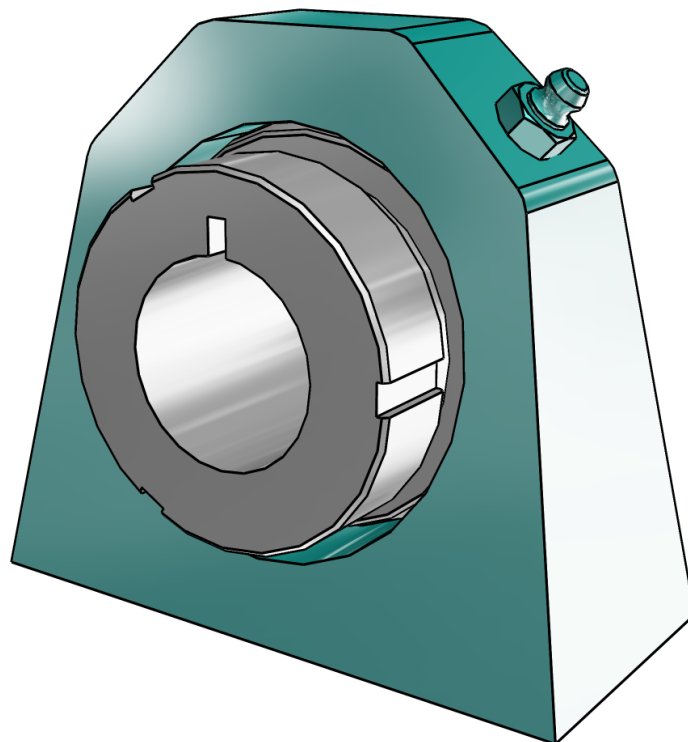
## 129293

### GTEZ Normal Duty Polymer Housed Tapped Base Pillow Blocks



### 3D View

To activate the interactive 3D view, you must trust this document (see hint on the top) in Adobe Acrobat and click on the question mark.



#### Zoom

Moves you toward or away from objects in the scene when you drag vertically. You can also zoom with the hand tool by holding down Shift as you drag.

#### Pan

Moves the model vertically and horizontally only. You can also pan with the hand tool: Ctrl-drag.

#### Rotate

Turns 3D objects around relative to the screen. How the objects move depends on the starting view, where you start dragging and the direction in which you drag.

# 3D PDF DATASHEET



 eCATALOG solutions




 BIM catalogs.net



 PART solutions



Create Your Individual 3D PDF Datasheet 

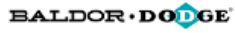
Learn How to Create Your Mechanical Product Catalog 

Learn How to Create Your BIM Product Catalog 

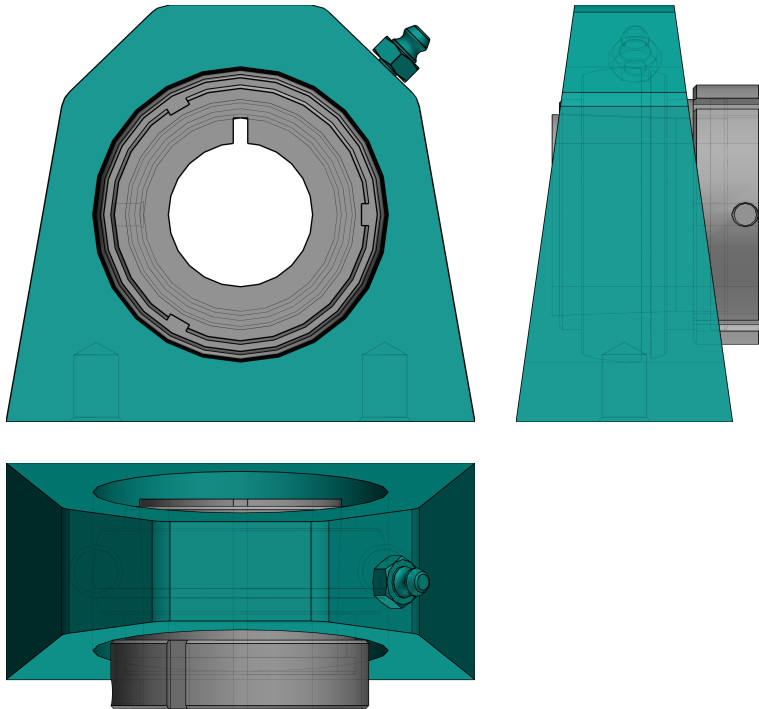
Reduce Your Costs in Engineering and Purchasing 

## 129293

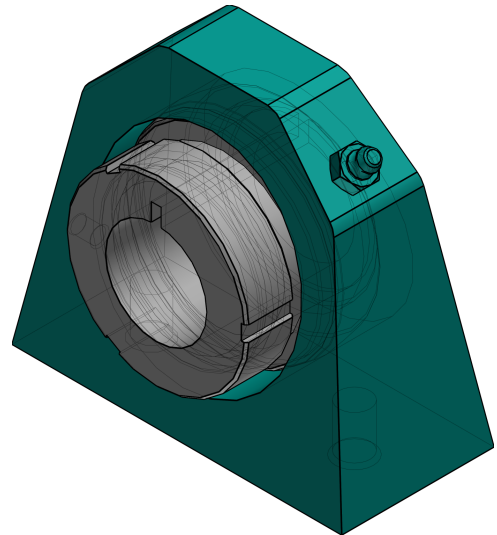
### GTEZ Normal Duty Polymer Housed Tapped Base Pillow Blocks



#### 2D Derivation



#### ISO View





Create Your Individual 3D PDF Datasheet



Learn How to Create Your Mechanical Product Catalog



Learn How to Create Your BIM Product Catalog

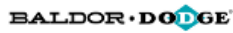


Reduce Your Costs in Engineering and Purchasing

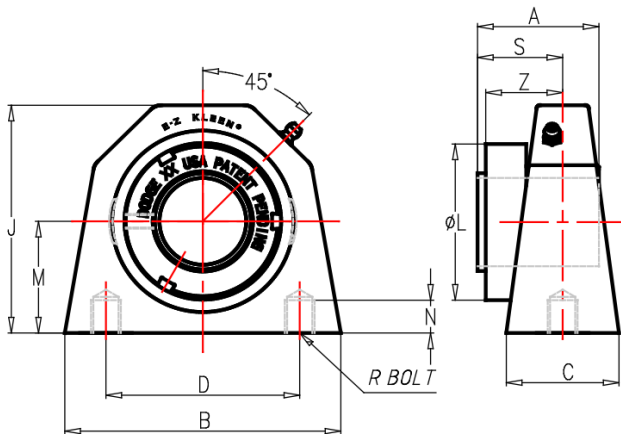


129293

GTEZ Normal Duty Polymer Housed Tapped Base Pillow Blocks



## Technical Drawings



NOTES:

GREASE USED:  
EXXON UNIREX N2

SEAL TYPE:  
DUAL GUARD LIP SEAL  
W/ RUBBERIZED FLINGER

## 3D PDF DATASHEET



 eCATALOG solutions



 BIM catalogs.net



 PART solutions



Create Your Individual 3D PDF Datasheet 

Learn How to Create Your Mechanical Product Catalog 

Learn How to Create Your BIM Product Catalog 

Reduce Your Costs in Engineering and Purchasing 

# 129293

## GTEZ Normal Duty Polymer Housed Tapped Base Pillow Blocks

**BALDOR • DODGE**

### Technical Data

SERIES (Series)	205
SS (Shaft Size / INCH)	1
PN (Part No.)	129293
DESCRIPTION (Description)	TB-GTEZ-100-PCR
A (A / INCH)	1-29/64
B (B / INCH)	3-1/4
C (C / INCH)	1-1/2
D (D / INCH)	2
J (J / INCH)	2-57/64
L (L / INCH)	1-51/64
M (M / INCH)	1-7/16
N ((Min. Thd. Depth) / INCH)	13/32
R ((Bolt Hole Threads))	3/8-16
S (S / INCH)	61/64
Z (Z / INCH)	61/64

# 3D PDF DATASHEET



 eCATALOG solutions



 BIM catalogs.net



 PART solutions



Create Your Individual 3D PDF Datasheet 

Learn How to Create Your Mechanical Product Catalog 

Learn How to Create Your BIM Product Catalog 

Reduce Your Costs in Engineering and Purchasing 

## 129293

### GTEZ Normal Duty Polymer Housed Tapped Base Pillow Blocks



#### Bill of Materials

N°	Name	Description	Amount
1	assembly	129293	1
1.1	B	TB-GTEZ-05-PCR	1
1.2	GTAGTMA_LNA_CR_I	129968	1
1.3	INS_GT_CR_I	INS-GT-05-CR	1