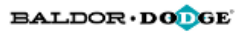




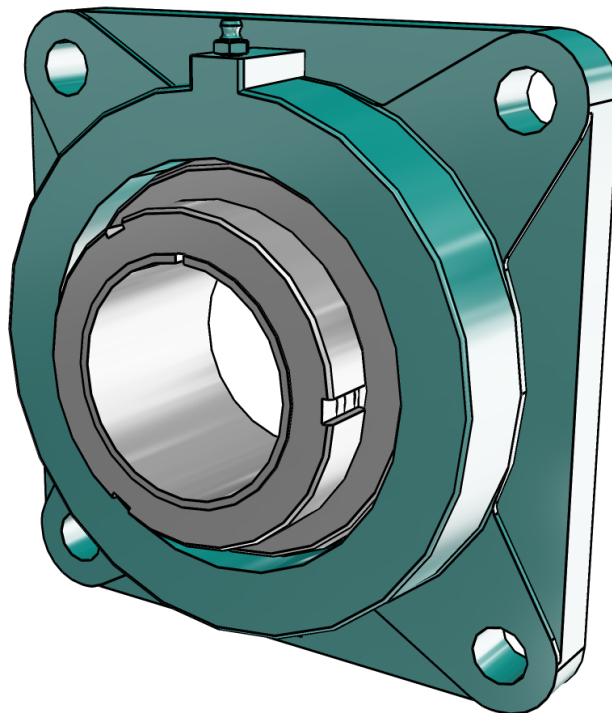
129656

GT Normal Duty 4 Bolt Flange Bearings



3D View

To activate the interactive 3D view, you must trust this document (see hint on the top) in Adobe Acrobat and click on the question mark.



Zoom

Moves you toward or away from objects in the scene when you drag vertically. You can also zoom with the hand tool by holding down Shift as you drag.



Pan

Moves the model vertically and horizontally only. You can also pan with the hand tool: Ctrl-drag.



Rotate

Turns 3D objects around relative to the screen. How the objects move depends on the starting view, where you start dragging and the direction in which you drag.

3D PDF DATASHEET



 eCATALOG solutions



 BIM catalogs.net



 PART solutions



Create Your Individual 3D PDF Datasheet ▶

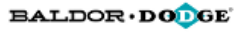
Learn How to Create Your Mechanical Product Catalog ▶

Learn How to Create Your BIM Product Catalog ▶

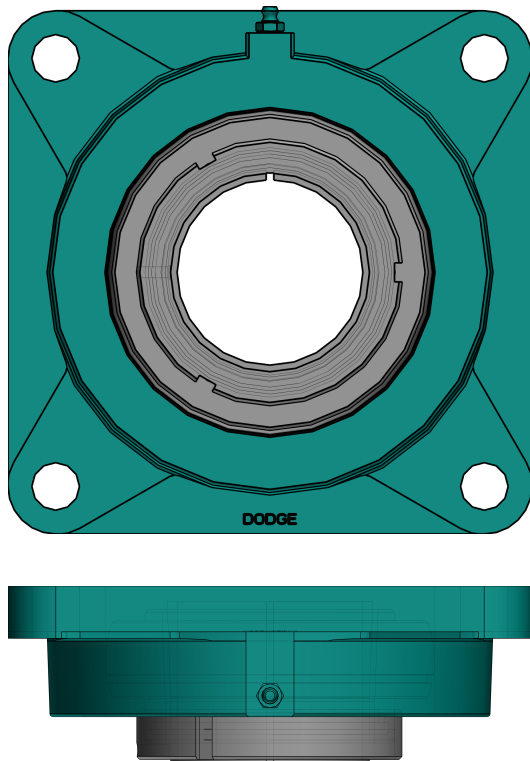
Reduce Your Costs in Engineering and Purchasing ▶

129656

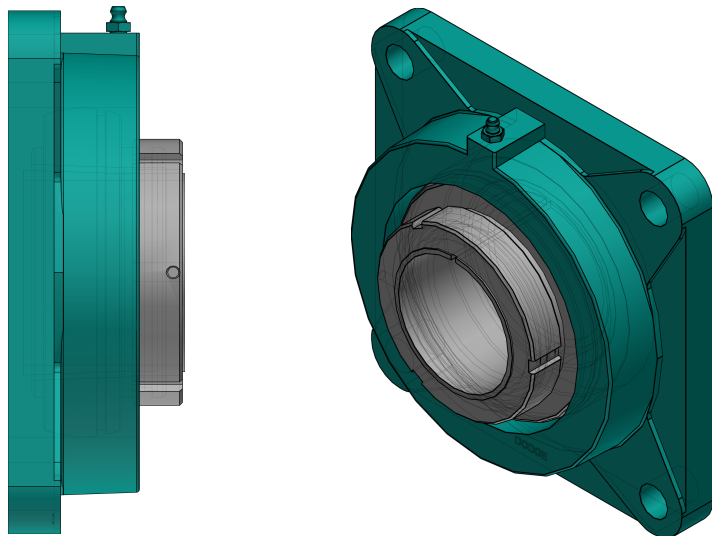
GT Normal Duty 4 Bolt Flange Bearings



2D Derivation



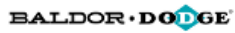
ISO View



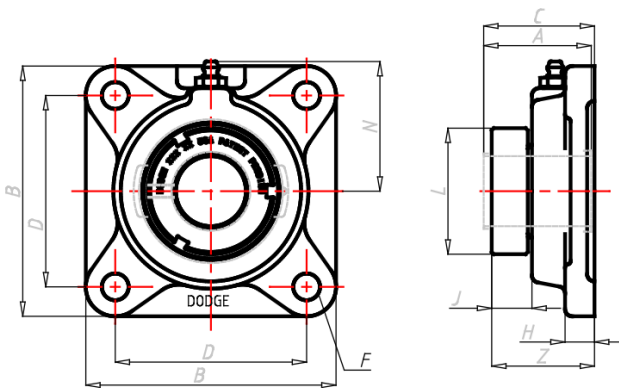


129656

GT Normal Duty 4 Bolt Flange Bearings



Technical Drawings



NOTES:

*GREASE USED:
EXXON UNIREX N2*

*SEAL TYPE:
DUAL GUARD LIP SEAL
W/ RUBBERIZED FLINGER*

3D PDF DATASHEET



 eCATALOG solutions




 BIM catalogs.net



 PART solutions



Create Your Individual 3D PDF Datasheet 

Learn How to Create Your Mechanical Product Catalog 

Learn How to Create Your BIM Product Catalog 

Reduce Your Costs in Engineering and Purchasing 

129656

GT Normal Duty 4 Bolt Flange Bearings



Technical Data

SERIES (Series)	212
SS (Shaft Size / INCH)	2-7/16
PN (Part No.)	129656
DESCRIPTION (Description)	F4B-GT-207
A (A / INCH)	2-7/64
B (B / INCH)	6-7/8
C (C / INCH)	2-5/16
D (D / INCH)	5-5/8
F (Bolt Diameter / INCH)	5/8
H (H / INCH)	11/16
J (J / INCH)	9/16
L (L / INCH)	3-1/2
N (N / INCH)	3-1/2
Z (Z / INCH)	2-9/32

3D PDF DATASHEET



 eCATALOG solutions



 BIM catalogs.net



 PART solutions



Create Your Individual 3D PDF Datasheet ▶

Learn How to Create Your Mechanical Product Catalog ▶

Learn How to Create Your BIM Product Catalog ▶

Reduce Your Costs in Engineering and Purchasing ▶

129656

GT Normal Duty 4 Bolt Flange Bearings

BALDOR • DODGE

Bill of Materials

N°	Name	Description	Amount
1	assembly	129656	1
1.1	BODY	129473	1
1.2	GTAGTMA_LNA_I	129921	1
1.3	INS_GT_I	129525	1