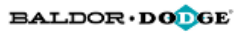




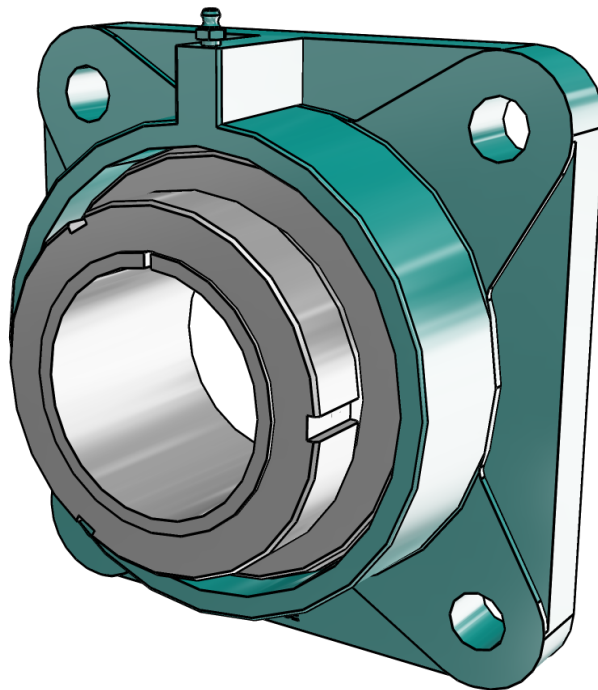
129694

GTM Medium Duty 4 Bolt Flange Bearings



3D View

To activate the interactive 3D view, you must trust this document (see hint on the top) in Adobe Acrobat and click on the question mark.


Zoom

Moves you toward or away from objects in the scene when you drag vertically. You can also zoom with the hand tool by holding down Shift as you drag.

Pan

Moves the model vertically and horizontally only. You can also pan with the hand tool: Ctrl-drag.

Rotate

Turns 3D objects around relative to the screen. How the objects move depends on the starting view, where you start dragging and the direction in which you drag.

3D PDF DATASHEET



 eCATALOG solutions



 BIM catalogs.net



 PART solutions



Create Your Individual 3D PDF Datasheet 

Learn How to Create Your Mechanical Product Catalog 

Learn How to Create Your BIM Product Catalog 

Reduce Your Costs in Engineering and Purchasing 

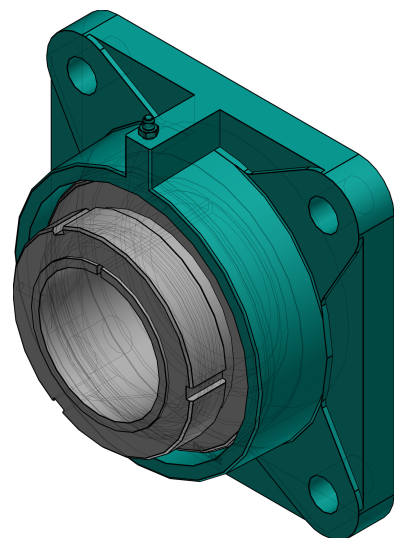
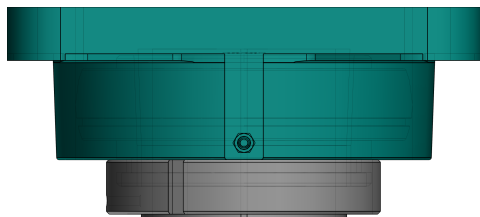
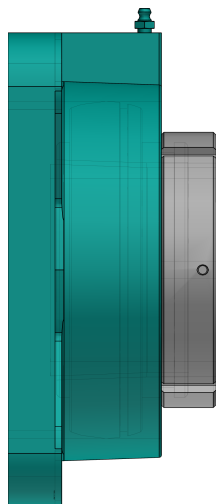
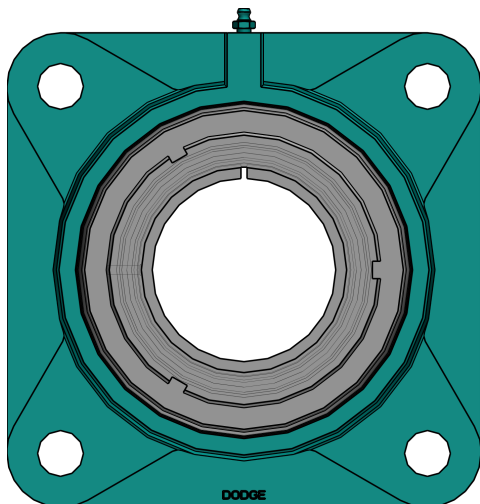
129694

GTM Medium Duty 4 Bolt Flange Bearings



2D Derivation

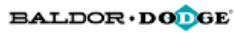
ISO View



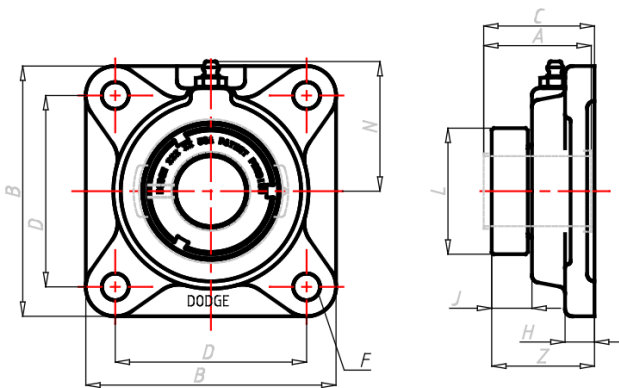


129694

GTM Medium Duty 4 Bolt Flange Bearings



Technical Drawings



NOTES:

GREASE USED:
EXXON UNIREX N2

SEAL TYPE:
DUAL GUARD LIP SEAL
W/ RUBBERIZED FLINGER

3D PDF DATASHEET



 eCATALOG solutions



 BIM catalogs.net



 PART solutions



Create Your Individual 3D PDF Datasheet 

Learn How to Create Your Mechanical Product Catalog 

Learn How to Create Your BIM Product Catalog 

Reduce Your Costs in Engineering and Purchasing 

129694

GTM Medium Duty 4 Bolt Flange Bearings



Technical Data

SERIES (Series)	216
SS (Shaft Size / INCH)	3
PN (Part No.)	129694
DESCRIPTION (Description)	F4B-GTM-300
A (A / INCH)	2-49/64
B (B / INCH)	7-3/4
C (C / INCH)	3-29/64
D (D / INCH)	6
F (Bolt Diameter)	3/4
H (H / INCH)	7/8
J (J / INCH)	57/64
L (L / INCH)	4-1/2
N (N / INCH)	4-9/32
Z (Z / INCH)	3-25/64

3D PDF DATASHEET



 eCATALOG solutions



 BIM catalogs.net



 PART solutions



Create Your Individual 3D PDF Datasheet ▶

Learn How to Create Your Mechanical Product Catalog ▶

Learn How to Create Your BIM Product Catalog ▶

Reduce Your Costs in Engineering and Purchasing ▶

129694

GTM Medium Duty 4 Bolt Flange Bearings



Bill of Materials

N°	Name	Description	Amount
1	assembly	129694	1
1.1	BODI	129486	1
1.2	GTAGTMA_LNA_I	129939	1
1.3	INS_GTI	129528	1