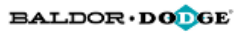




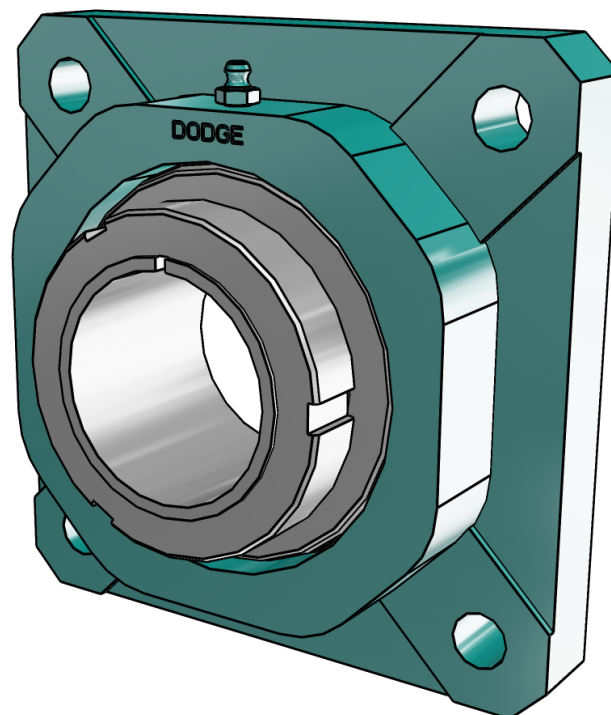
129720

GTEZ Normal Duty Polymer Housed 4 Bolt Flange Bearings



3D View

To activate the interactive 3D view, you must trust this document (see hint on the top) in Adobe Acrobat and click on the question mark.



Zoom

Moves you toward or away from objects in the scene when you drag vertically. You can also zoom with the hand tool by holding down Shift as you drag.

Pan

Moves the model vertically and horizontally only. You can also pan with the hand tool: Ctrl-drag.

Rotate

Turns 3D objects around relative to the screen. How the objects move depends on the starting view, where you start dragging and the direction in which you drag.

3D PDF DATASHEET



 eCATALOG solutions



 BIM catalogs.net



 PART solutions



Create Your Individual 3D PDF Datasheet 

Learn How to Create Your Mechanical Product Catalog 

Learn How to Create Your BIM Product Catalog 

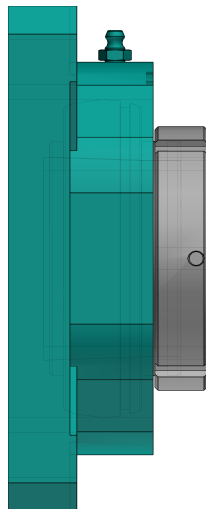
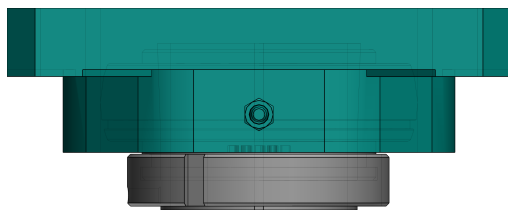
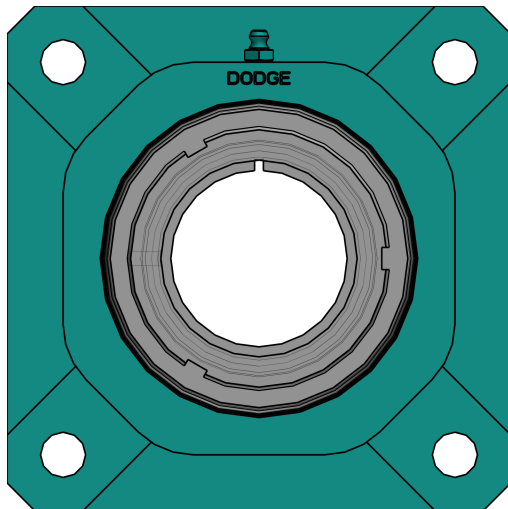
Reduce Your Costs in Engineering and Purchasing 

129720

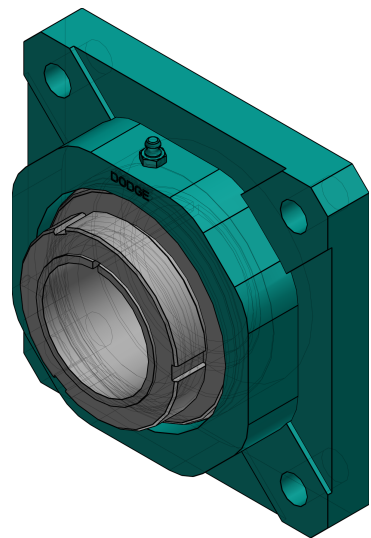
GTEZ Normal Duty Polymer Housed 4 Bolt Flange Bearings



2D Derivation



ISO View



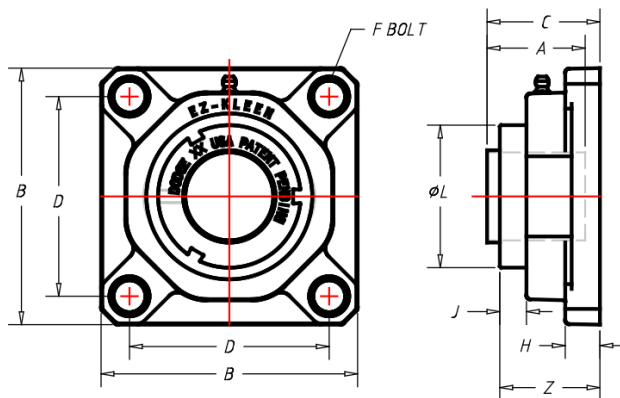


129720

GTEZ Normal Duty Polymer Housed 4 Bolt Flange Bearings

BALDOR • DODGE

Technical Drawings



NOTES:

GREASE USED:
EXXON UNIREX N2

SEAL TYPE:
DUAL GUARD LIP SEAL
W/ RUBBERIZED FLINGER

3D PDF DATASHEET



 eCATALOG solutions



 BIM catalogs.net



 PART solutions



Create Your Individual 3D PDF Datasheet ▶

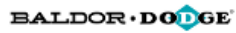
Learn How to Create Your Mechanical Product Catalog ▶

Learn How to Create Your BIM Product Catalog ▶

Reduce Your Costs in Engineering and Purchasing ▶

129720

GTEZ Normal Duty Polymer Housed 4 Bolt Flange Bearings



Technical Data

SERIES (Series)	210
SS (Shaft Size / mm)	50
PN (Part no.)	129720
DESCRIPTION (Description)	F4B-GTEZ-50M-PCR
A (A / mm)	47.2
B (B / mm)	142.9
C (C / mm)	57.2
D (D / mm)	111.1
F (Bolt Diameter)	M16
H (H / mm)	19.4
J (J / mm)	15.5
L (L / mm)	74.6
Z (Z / mm)	56.4
PPATH ()	f4b_gtez_templ.prj

3D PDF DATASHEET



 eCATALOG solutions



 BIM catalogs.net



 PART solutions



Create Your Individual 3D PDF Datasheet ▶

Learn How to Create Your Mechanical Product Catalog ▶

Learn How to Create Your BIM Product Catalog ▶

Reduce Your Costs in Engineering and Purchasing ▶

129720

GTEZ Normal Duty Polymer Housed 4 Bolt Flange Bearings



Bill of Materials

N°	Name	Description	Amount
1	assembly	129720	1
1.1	BODY	F4B-GTEZ-10-PCR	1
1.2	GTAGTMA_LNA	129986	1
1.3	INS_GT_CR	INS-GT-10-CR	1