



eCATALOG solutions



BIM catalogs.net



PART solutions



Create Your Individual 3D PDF Datasheet

Learn How to Create Your Mechanical Product Catalog

Learn How to Create Your BIM Product Catalog

Reduce Your Costs in Engineering and Purchasing

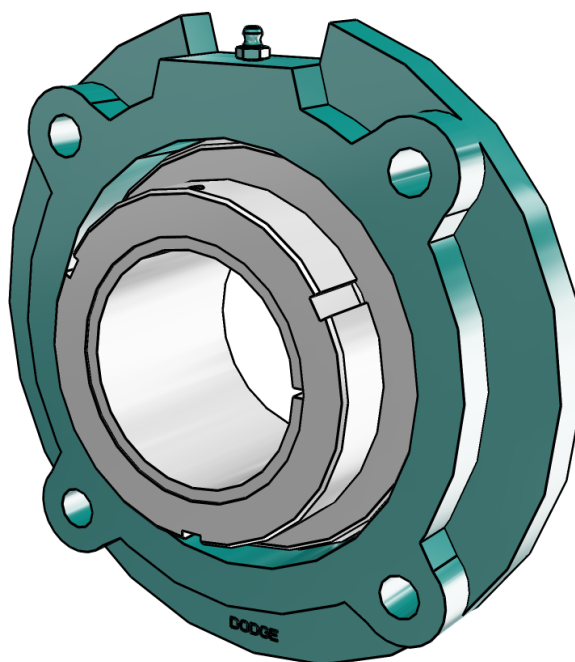
129749

GT Normal Duty Piloted Flange Bearings



3D View

To activate the interactive 3D view, you must trust this document (see hint on the top) in Adobe Acrobat and click on the question mark.



Zoom

Moves you toward or away from objects in the scene when you drag vertically. You can also zoom with the hand tool by holding down Shift as you drag.

Pan

Moves the model vertically and horizontally only. You can also pan with the hand tool: Ctrl-drag.

Rotate

Turns 3D objects around relative to the screen. How the objects move depends on the starting view, where you start dragging and the direction in which you drag.

3D PDF DATASHEET



eCATALOGsolutions



BIM catalogs.net



PARTsolutions



Create Your Individual 3D PDF Datasheet



Learn How to Create Your Mechanical Product Catalog



Learn How to Create Your BIM Product Catalog



Reduce Your Costs in Engineering and Purchasing

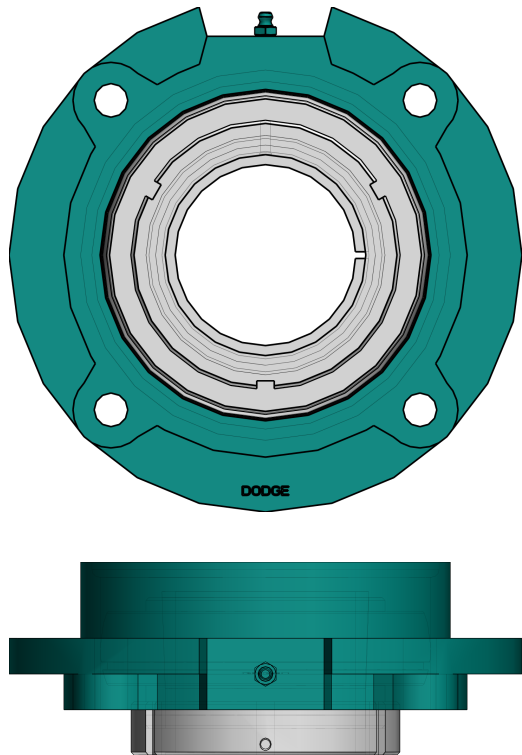


129749

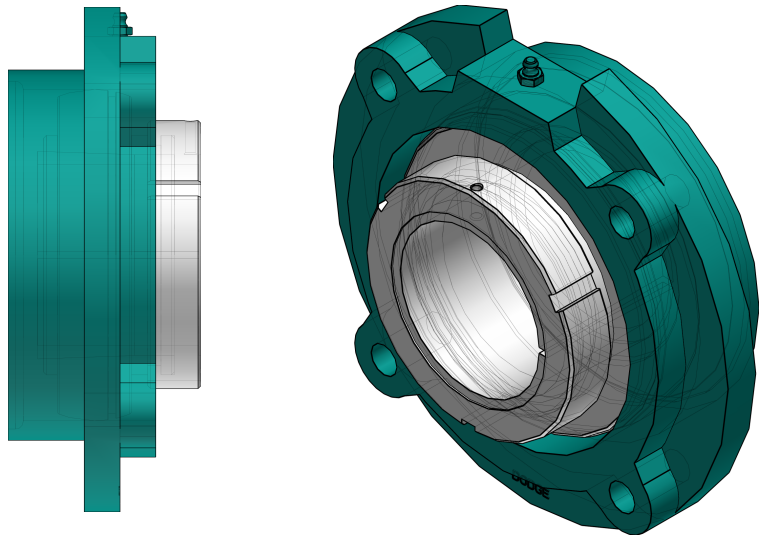
GT Normal Duty Piloted Flange Bearings



2D Derivation



ISO View



3D PDF DATASHEET



eCATALOG solutions



BIM catalogs.net



PARTsolutions



Create Your Individual 3D PDF Datasheet



Learn How to Create Your Mechanical Product Catalog



Learn How to Create Your BIM Product Catalog



Reduce Your Costs in Engineering and Purchasing

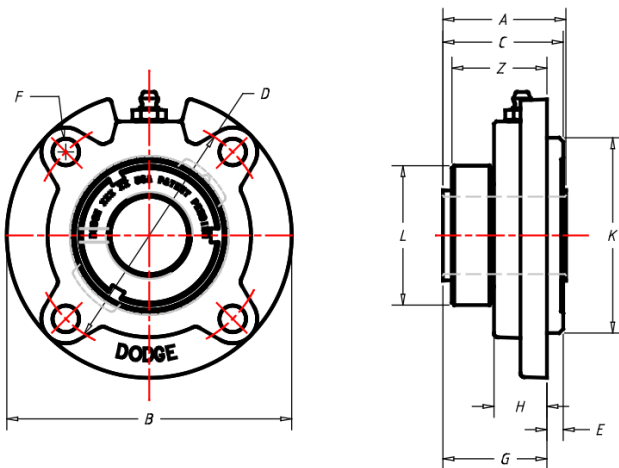


129749

GT Normal Duty Piloted Flange Bearings

BALDOR • DODGE

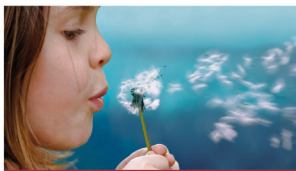
Technical Drawings



NOTES:

GREASE USED:
EXXON UNIREX N2

SEAL TYPE:
DUAL GUARD LIP SEAL
W/ RUBBERIZED FLINGER






Create Your Individual 3D PDF Datasheet



Learn How to Create Your Mechanical Product Catalog



Learn How to Create Your BIM Product Catalog



Reduce Your Costs in Engineering and Purchasing



129749

GT Normal Duty Piloted Flange Bearings

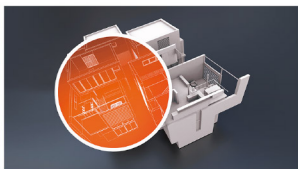
Technical Data

SERIES (Series)	214
SS (Shaft Size / INCH)	2-11/16
PN (Part no.)	129749
DESCRIPTION (Description)	FC-GT-211
PNSL (Part No. of Unit without Adapter Sleeve & Lock Nut)	129508
DESCRIPTIONSL (Description of Unit without Adapter Sleeve & Lock Nut)	FC-GT-14
PNA (Part No. of Adapter Sleeve & Lock Nut)	136539
DESCRIPTIONA (Description of Adapter Sleeve & Lock Nut)	AN-GT-14-211-D
W (Weight / lbs)	13.6
A (A / INCH)	2.39
B (B / INCH)	7.63
C (C / INCH)	2.86
D (D / INCH)	6.50
E (E / INCH)	1.13
F (F / INCH)	1/2
G (G / INCH)	1.74
H (H / INCH)	1.06
K (K / INCH)	5.500/5.498
L (L / INCH)	4.00
Z (Z / INCH)	1.77
CAPS (Capacity Static / lbs)	8410
CAPD (Capacity Dynamic / lbs)	13994

3D PDF DATASHEET



 eCATALOG solutions




 BIM catalogs.net



 PART solutions



Create Your Individual 3D PDF Datasheet 

Learn How to Create Your Mechanical Product Catalog 

Learn How to Create Your BIM Product Catalog 

Reduce Your Costs in Engineering and Purchasing 

129749

GT Normal Duty Piloted Flange Bearings



Bill of Materials

N°	Name	Description	Amount
1	assembly	129749	1
1.1	body	129749	1