

# Hub City™ Worm Gear Drives

## Single Reduction

### PowerCubeX® Worm Speed Reducer Catalog Ratings

#### Series 380

SERIES	INPUT RPM	RATIO	OUTPUT RPM	CONVENTIONAL OIL				PAO SYNTHETIC OIL				PAG SYNTHETIC OIL				
				MECH. INPUT HP	EFF. %	MECH. OUTPUT TORQUE	THERMAL INPUT HP	THERMAL OUTPUT TORQUE	MECH. INPUT HP	EFF. %	OUTPUT TORQUE	THERMAL INPUT HP	THERMAL OUTPUT TORQUE	INPUT HP	EFF. %	OUTPUT TORQUE
380	2500	5	500	22.9	91.7	2665	11.0	1272	22.9	94.5	2749	13.3	1590	22.9	97.5	2834
		10	250	14.4	88.2	3223	6.77	1506	14.4	90.8	3345	8.23	1883	14.4	93.8	3465
		15	167	10.2	85.0	3294	4.70	1511	10.2	87.6	3418	5.70	1889	10.2	90.4	3562
		20	125	8.52	83.2	3607	4.00	1679	8.52	85.7	3743	4.86	2099	8.52	88.4	3900
		30	83.3	5.72	77.6	3352	2.58	1516	5.72	79.9	3517	3.14	1895	5.72	82.5	3663
		40	62.5	4.83	74.7	3635	2.23	1679	4.83	76.9	3814	2.71	2100	4.83	79.4	3973
		50	50.0	3.86	71.5	3477	1.97	1777	3.86	73.6	3647	2.39	2221	3.86	76.0	3799
	60	41.7	3.17	68.2	3273	1.89	1945	3.17	70.2	3434	2.29	2431	3.17	72.5	3596	
	1750	5	350	20.0	89.9	3230	10.1	1631	20.0	92.7	3332	12.2	2039	20.0	95.6	3435
		10	175	12.6	86.5	3907	6.20	1931	12.6	89.7	4054	7.47	2414	12.6	93.0	4200
		15	117	8.87	83.3	3993	4.30	1937	8.87	86.5	4143	5.18	2422	8.87	90.1	4317
		20	87.5	7.44	81.6	4372	3.66	2153	7.44	84.7	4537	4.41	2691	7.44	88.2	4727
		30	58.3	5.00	75.4	4063	2.39	1943	5.00	79.1	4263	2.84	2429	5.00	82.4	4440
		40	43.8	4.22	72.5	4406	2.06	2153	4.22	76.0	4623	2.46	2691	4.22	79.2	4816
		50	35.0	3.37	69.4	4214	1.82	2278	3.37	72.9	4421	2.17	2847	3.37	75.9	4605
	60	29.2	2.77	66.2	3967	1.74	2493	2.77	69.5	4162	2.07	3117	2.77	72.8	4359	
	1170	5	234	16.5	89.0	4040	8.58	2093	16.5	91.9	4169	8.23	2617	16.5	94.7	4298
		10	117	10.3	85.1	4817	5.39	2512	10.3	88.3	4998	6.49	3140	10.3	91.5	5179
		15	78.0	7.44	81.6	4990	3.91	2622	7.44	84.7	5180	4.71	3278	7.44	88.2	5394
		20	58.5	6.27	79.6	5468	3.41	2975	6.27	82.6	5675	4.11	3719	6.27	86.0	5911
		30	39.0	4.24	72.6	5060	2.26	2694	4.24	76.1	5309	2.69	3367	4.24	79.3	5530
		40	29.3	3.61	69.3	5486	2.02	3060	3.61	72.7	5756	2.40	3825	3.61	75.7	5995
		50	23.4	2.90	65.9	5236	1.91	3444	2.90	69.1	5493	2.27	4305	2.90	72.0	5722
	60	19.5	2.38	62.4	4890	1.66	3408	2.38	65.5	5132	1.98	4260	2.38	68.6	5374	
	100	5	20.0	3.11	82.3	8065	THERMAL EQUALS MECHANICAL	3.11	85.0	8322	THERMAL EQUALS MECHANICAL	3.11	87.6	8580		
		10	10.0	1.94	75.6	9260		1.94	78.5	9806		1.94	81.3	9957		
		15	6.7	1.50	69.6	9790		1.50	72.2	10160		1.50	75.2	10580		
		20	5.0	0.95	66.3	7962		0.95	68.8	8264		0.95	71.7	8608		
30		3.3	0.94	55.8	9905	0.94		58.6	10390	0.94		61.0	10820			
40		2.5	0.61	51.6	7990	0.61		54.1	8384	0.61		56.4	8734			
50		2.0	0.41	47.6	6100	0.41		49.9	6401	0.41		52.0	6667			
60		1.7	0.30	43.8	4890	0.30		45.9	5132	0.30		48.1	5374			

ADDITIONAL RATINGS FOR OTHER INPUT SPEEDS ARE AVAILABLE AT [WWW.REGALBELOIT.COM](http://WWW.REGALBELOIT.COM)

#### OVERHUNG LOAD AND THRUST LOAD INFORMATION

OVERHUNG LOAD - LOW SPEED SHAFT —

MODELS 381 AND 384 1,600 LBS. AT CENTER POINT OF SHAFT EXTENSION.

MODELS 382 AND 385 NOT APPLICABLE.

MODELS 387 AND 388 — OHL\* 1,970 LBS., TO\* THRUST OUT 1,950 LBS. AND TI\* THRUST IN 1,500 LBS.

THRUST\* UP OR DOWN 1,500 LBS.

\*OHL AND THRUST VALUES SHOWN ARE INDEPENDENT FUNCTIONS AND CANNOT BE APPLIED SIMULTANEOUSLY.

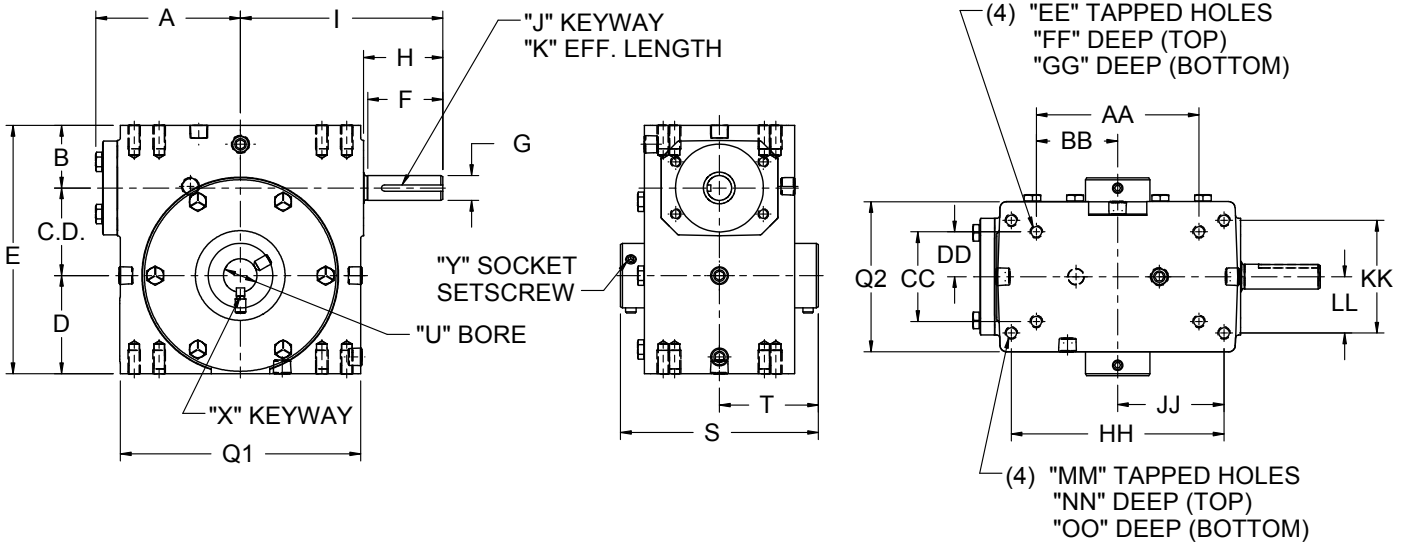
REFER APPLICATIONS WITH COMBINED OHL AND THRUST TO REGAL CUSTOMER SERVICE DEPARTMENT.

OUTPUT TORQUE VALUES SHOWN ARE INCH-POUNDS (IN-LB).

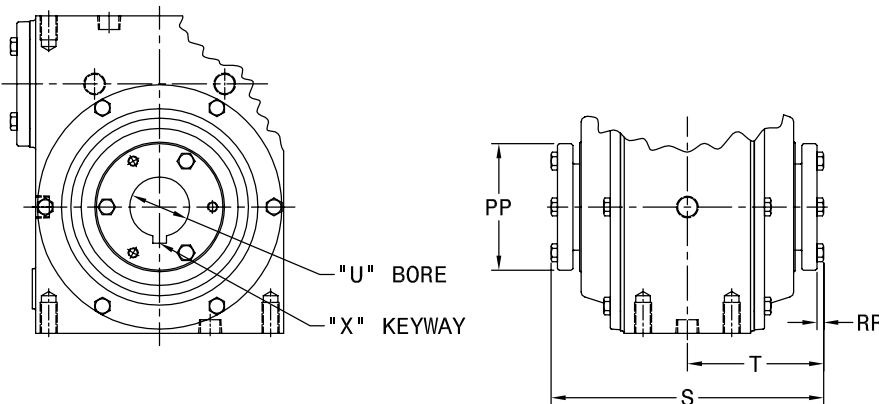
# Hub City™ Worm Gear Drives

## Single Reduction Models

132, 152, 182, 212, 242, 262, 302, 322, 382, 422, 452, 522, GW602, GW702, GW802, GW1002



### QD™ Bushing Detail for Models 452, 522



THESE UNITS CAN BE FURNISHED WITH SOLID OUTPUT SHAFT ON SPECIAL ORDERS.

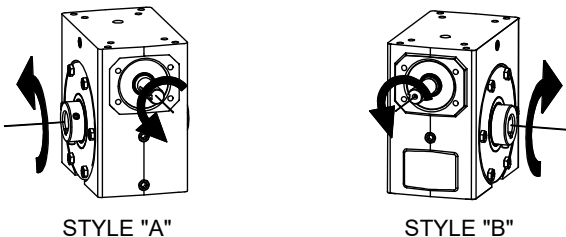
SHAFT MOUNTED UNITS REQUIRE TORQUE ARMS. TORQUE ARM KITS ARE AVAILABLE. SEE PAGE B-105.

ALL GW MODELS ARE FAN COOLED REFER TO FAN DETAILS ON NEXT PAGE.

FOR LUBRICATION AND INSTALLATION INSTRUCTIONS - REFER TO SECTION M

DIMENSIONS SHOWN ARE FOR REFERENCE ONLY. DOWNLOAD AVAILABLE CAD MODELS AT: WWW.HUBCITYINC.COM

### Standard Styles Available



STYLE "A"

STYLE "B"

NOTE: STYLE "A" SUPPLIED AS STANDARD UNLESS SPECIFIED OTHERWISE.

NOTE: STYLE B DOES NOT APPLY TO MODELS 452 AND LARGER. HOUSINGS HAVE A COVER ON BOTH SIDES OF OUTPUT.

CONSULT FACTORY FOR VERTICAL SHAFT LUBRICATION RECOMMENDATIONS.

INPUT SHAFT CAN BE ROTATED IN EITHER DIRECTION.

# Hub City™ Worm Gear Drives

## Single Reduction Models

132, 152, 182, 212, 242, 262, 302, 322, 382, 422, 452, 522, GW602, GW702, GW802, GW1002

MODEL	C.D.	A	B	D	E	Q1	Q2	F	G	H	I	J	K
132	1.334	2.61	1.186	1.562	4.082	4.12	3.12	1.67	.500/.4985	1.76	3.82	1/8 X 1/16 P&W	1.44
152	1.541	3.14	1.928	1.906	5.375	4.88	3.44	1.76	.625/.6235	1.76	4.35	3/16 X 3/32 P&W	1.50
182	1.751	3.23	1.374	1.875	5.000	5.16	3.44	N/A	.625/.6235	1.76	4.44	3/16 X 3/32 P&W	1.50
212	2.064	3.61	1.500	2.437	6.000	5.88	4.12	N/A	.625/.6235	1.76	4.82	3/16 X 3/32 P&W	1.50
242	2.376	3.77	2.061	2.500	6.937	6.12	4.06	2.38	.750/.7485	2.38	5.51	3/16 X 3/32 P&W	1.75
262	2.626	4.33	1.874	2.938	7.438	7.20	4.50	2.36	.750/.7485	2.38	6.07	3/16 X 3/32 P&W	1.75
302	3.001	4.84	2.624	3.250	8.875	8.12	5.25	2.38	.875/.8735	2.38	6.57	3/16 X 3/32 P&W	1.75
322	3.251	5.28	2.124	3.250	8.625	8.62	5.20	N/A	.875/.8735	2.38	6.75	3/16 X 3/32 P&W	1.75
382	3.751	4.90	2.374	3.937	10.062	9.60	5.62	2.20	1.000/.999	2.48	7.38	1/4 X 1/8 P&W	1.91
422	4.251	6.10	2.686	4.438	11.375	10.25	6.13	3.47	1.250/1.2485	3.47	9.60	1/4 X 1/8 P&W	2.87
452	4.501	5.23	2.499	4.625	11.625	9.25	4.63	2.98	1.125/1.124	3.21	8.44	1/4 X 1/8	2.50
522	5.168	5.98	2.624	5.375	13.167	10.75	5.06	N/A	1.250/1.249	3.27	9.25	1/4 X 1/8	2.63
GW602	6.000	N/A	4.000	6.500	16.500	14.25	8.13	N/A	1.500	3.41	11.78	3/8 X 3/16	3.00
GW702	7.000	N/A	4.320	7.590	18.910	14.88	7.63	N/A	1.625	2.98	11.50	3/8 X 3/16 P&W	2.87
GW802	8.000	N/A	4.100	8.860	20.960	17.00	8.63	N/A	1.875	2.84	12.50	1/2 X 1/4 P&W	2.81
GW1002	10.000	N/A	5.110	10.360	25.470	20.88	9.53	N/A	2.250	3.76	15.50	1/2 X 1/4 P&W	3.69

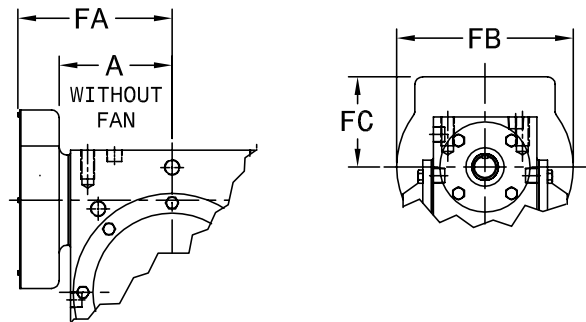
MODEL	AA	BB	CC	DD	EE	FF	GG	HH	JJ	KK	LL	MM	NN	OO	Wt. Lbs.
132	2.250	1.125	1.625	0.813	1/4 UNC	0.50	0.50	3.250	1.625	2.000	1.000	5/16 UNC	0.50	0.50	15
152	4.188	2.094	2.750	1.375	5/16 UNC	0.63	0.63	N/A	N/A	N/A	N/A	N/A	N/A	N/A	15
182	3.125	1.563	1.625	0.813	1/4 UNC	0.50	0.50	4.188	2.094	2.750	1.375	5/16 UNC	0.63	0.63	15
212	4.000	2.000	2.000	1.000	3/8 UNC	0.50	0.70	5.000	2.500	2.875	1.438	3/8 UNC	0.70	0.70	24
242	5.000	2.500	2.875	1.438	3/8 UNC	0.69	0.69	N/A	N/A	N/A	N/A	N/A	N/A	N/A	37
262	4.875	2.438	2.688	1.344	3/8 UNC	0.70	0.70	6.375	3.188	3.375	1.688	3/8 UNC	0.70	0.70	37
302	7.000	3.500	4.000	2.000	7/16 UNC	0.88	0.88	N/A	N/A	N/A	N/A	N/A	N/A	N/A	57
322	6.250	3.125	2.750	1.375	1/2 UNC	0.75	0.75	7.500	3.750	4.000	2.000	7/16 UNC	0.88	0.88	66
382	6.875	3.438	3.000	1.500	1/2 UNC	0.94	1.00	8.500	4.250	4.750	2.375	1/2 UNC	1.00	1.00	85
422	8.500	4.250	5.000	2.500	5/8 UNC	1.00	1.00	N/A	N/A	N/A	N/A	N/A	N/A	N/A	107
452	8.125	4.063	3.250	1.625	5/8 UNC	0.88	1.13	N/A	N/A	N/A	N/A	N/A	N/A	N/A	107
522	9.500	4.750	3.750	1.875	5/8 UNC	1.00	1.25	N/A	N/A	N/A	N/A	N/A	N/A	N/A	135
GW602	12.750	6.375	6.380	3.190	5/8 UNC	1.00	1.00	N/A	N/A	N/A	N/A	N/A	N/A	N/A	294
GW702	12.500	6.250	5.500	2.750	1 UNC	1.56	1.56	N/A	N/A	N/A	N/A	N/A	N/A	N/A	399
GW802	14.250	7.125	6.500	3.250	1 UNC	1.66	1.66	N/A	N/A	N/A	N/A	N/A	N/A	N/A	582
GW1002	17.750	8.875	6.875	3.438	1-1/4 UNC	2.04	2.04	N/A	N/A	N/A	N/A	N/A	N/A	N/A	905

### Stock Output Bores

MINIMUM AND MAXIMUM BORE DIMENSIONS SHOWN. FOR ADDITIONAL STOCK OUTPUT BORE SIZES AND STOCK QD™ BUSHING KITS AVAILABLE SEE PAGE B-96.

MODEL	U (MIN.)	U (MAX.)	S	T
132	N/A	5/8	4.50	2.25
152	N/A	5/8	5.42	2.71
182	15/16	1	4.81	2.41
212	15/16	1-1/2	5.56	2.78
242	1	1-1/2	6.00	3.00
262	1	1-1/2	5.93	2.97
302	1-3/16	2-3/16	7.50	3.75
322	1-7/16	2-3/16	7.56	3.78
382	1-7/16	2-3/16	7.56	3.78
422	1-7/16	2-3/16	8.50	4.25
452	*QD BUSHING KIT REQUIRED*		10.00	5.00
522			11.13	5.56
GW602	2	3-7/16	11.50	5.75
GW702	2-7/16	3-15/16	13.50	6.75
GW802	3-7/16	4-7/16	14.50	7.25
GW1002	3-7/16	5-7/16	18.50	9.25

### Fan Detail For Models GW602 Through GW1002



MODEL	A	FA	FB	FC
GW602	N/A	11.13	9.50	4.00
GW702	N/A	11.37	9.65	4.83
GW802	N/A	12.52	9.65	4.83
GW1002	N/A	14.69	11.28	5.62

ALL GW MODELS ARE FAN COOLED.



Select hollow output bore models in this product line are now available with the HubLoc® keyless bushing system. Refer to pages i and ii at front of this catalog for features, available sizes, and ordering information.