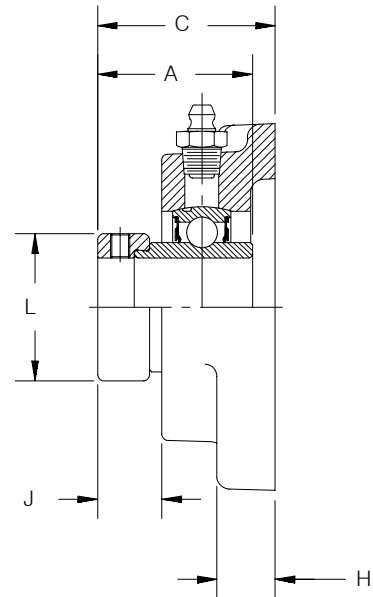
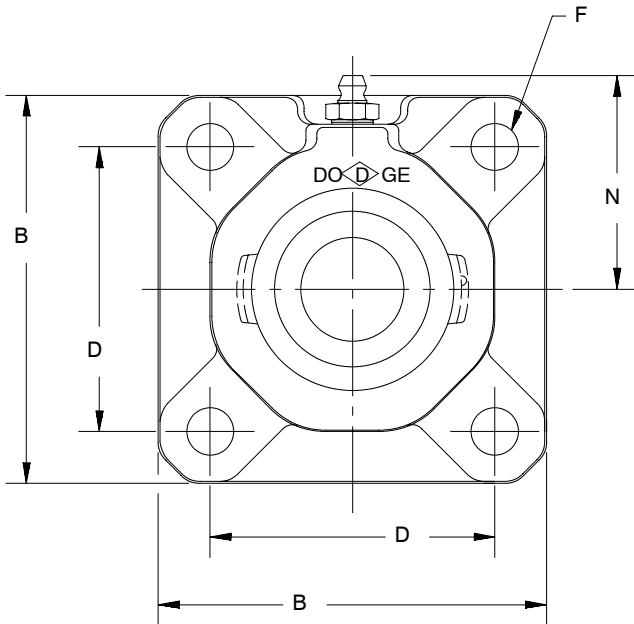


SELECTION/DIMENSIONS

Eccentric Collar Ball Bearings

SXR NORMAL DUTY 4-BOLT FLANGE BEARINGS



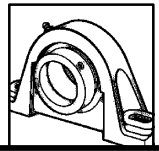
Series	Shaft Size	Part Number	Description
203	1/2	131100	F4B-SXR-008
	5/8	131102	F4B-SXR-010
	17mm	125666	F4B-SXR-17M
204	3/4	131104	F4B-SXR-012
	20mm	125667	F4B-SXR-20M
205	7/8	131106	F4B-SXR-014
	15/16	131107	F4B-SXR-015
	1	131108	F4B-SXR-100
	25mm	125668	F4B-SXR-25M
206	1-1/16	131109	F4B-SXR-101
	1-1/8	131110	F4B-SXR-102
	1-3/16	131111	F4B-SXR-103
	1-1/4	@	F4B-SXR-104S
	30mm	125669	F4B-SXR-30M
207	1-1/4	131113	F4B-SXR-104
	1-5/16	131114	F4B-SXR-105
	1-3/8	131115	F4B-SXR-106
	1-7/16	131116	F4B-SXR-107
	35mm	125670	F4B-SXR-35M

Series	Shaft Size	Part Number	Description
208	1-1/2	131117	F4B-SXR-108
	40mm	125671	F4B-SXR-40M
209	1-5/8	131120	F4B-SXR-110
	1-11/16	131121	F4B-SXR-111
	1-3/4	131122	F4B-SXR-112
	45mm	125672	F4B-SXR-45M
210	1-15/16	131125	F4B-SXR-115
	2	131127	F4B-SXR-200
	50mm	125673	F4B-SXR-50M
211	2	131343	F4B-SXR-200L
	2-3/16	131130	F4B-SXR-203
	55mm	125674	F4B-SXR-55M
212	2-1/4	131132	F4B-SXR-204
	2-7/16	131135	F4B-SXR-207
	60mm	125675	F4B-SXR-60M
215	2-15/16	131137	F4B-SXR-215
	75mm	125676	F4B-SXR-75M

@ Assembled to order

FEATURE/BENEFITS ECCENTRIC COLLAR BALL BRGS PAGE B3-2	HOW TO ORDER/ NOMENCLATURE PAGE B3-4	SELECTION PAGE B3-5	
---	--	------------------------	--

SELECTION/DIMENSIONS



Eccentric Collar Ball Bearings

SXR NORMAL DUTY 4-BOLT FLANGE BEARINGS

Series	Shaft Size	Weight lbs	A	B	C	D	F Bolt Dia.	H	J	L	N
203	1/2	1.2	1-1/8	3	1-19/32	2-1/8	3/8	33/64	39/64	1-1/8	1-37/64
	5/8	1.1									
	17mm	0.5	28.6	76.2	40.5	54.0	M10	13.1	15.5	28.6	40.1
204	3/4	1.6	1-23/32	3-3/8	1-51/64	2-1/2	3/8	19/32	41/64	1-5/16	2-1/32
	20mm	0.8	43.7	85.7	45.6	63.5	M10	15.1	16.3	33.3	51.6
205	7/8	2.3	1-3/4	3-3/4	1-13/16	2-3/4	7/16	19/32	21/32	1-1/2	2-1/8
	15/16	2.2									
	1	2.1									
	25mm	0.9	44.5	95.3	46.0	69.9	M10	15.1	16.7	38.1	54.0
206	1-1/16	3.1	1-29/32	4-1/4	1-63/64	3-1/4	7/16	5/8	47/64	1-3/4	2-5/32
	1-1/8	3.0									
	1-3/16	2.9									
	1-1/4	2.8									
	30mm	1.3	48.4	108.0	50.4	82.6	M10	15.9	18.7	44.5	54.8
207	1-1/4	4.2	2-1/64	4-5/8	2-7/64	3-5/8	1/2	41/64	25/32	2-1/8	2-13/32
	1-5/16	4.1									
	1-3/8	4.0									
	1-7/16	3.9									
	35mm	1.8	51.2	117.5	53.6	92.1	M12	16.3	19.8	54.0	61.1
208	1-1/2	5.1	2-7/32	5-1/8	2-21/64	4	1/2	21/32	25/32	2-3/8	2-19/32
	40mm	2.3	56.4	130.2	59.1	101.6	M12	16.7	19.8	60.3	65.9
209	1-5/8	6.4	2-7/32	5-3/8	2-9/32	4-1/8	1/2	21/32	25/32	2-1/2	2-45/64
	1-11/16	6.2									
	1-3/4	6.0									
	45mm	2.7	56.4	136.5	57.9	104.8	M12	16.7	19.8	64.1	68.7
210	1-15/16	7.0	2-15/32	5-5/8	2-19/32	4-3/8	5/8	25/32	53/64	2-3/4	2-51/64
	2	6.8									
	50mm	3.1	62.7	142.9	65.9	111.1	M16	19.8	21.0	69.9	71.0
211	2	10.2	2-13/16	6-3/8	2-15/16	5-1/8	5/8	13/16	1-1/32	3	3-9/64
	2-3/16	9.7									
	55mm	4.4	71.4	161.9	74.6	130.2	M16	20.6	26.2	76.2	79.8
212	2-1/4	11.8	3-1/16	6-7/8	3-3/16	5-5/8	5/8	13/16	1-3/32	3-5/16	3-15/64
	2-7/16	11.3									
	60mm	6.0	77.8	174.6	81.0	142.9	M16	20.6	27.8	84.1	82.2
215	2-15/16	18.2	6-5/8	7-3/4	3-25/32	6	3/4	15/16	1-19/64	4	3-45/64
	75mm	8.2	168.3	196.9	96.0	152.4	M16	23.8	32.9	101.6	94.1

DIMENSIONS SXR INSERTS PAGE B3-70	MODIFICATIONS PAGE B3-74	RELATED PRODUCTS PAGE B3-75	
---	-----------------------------	--------------------------------	--