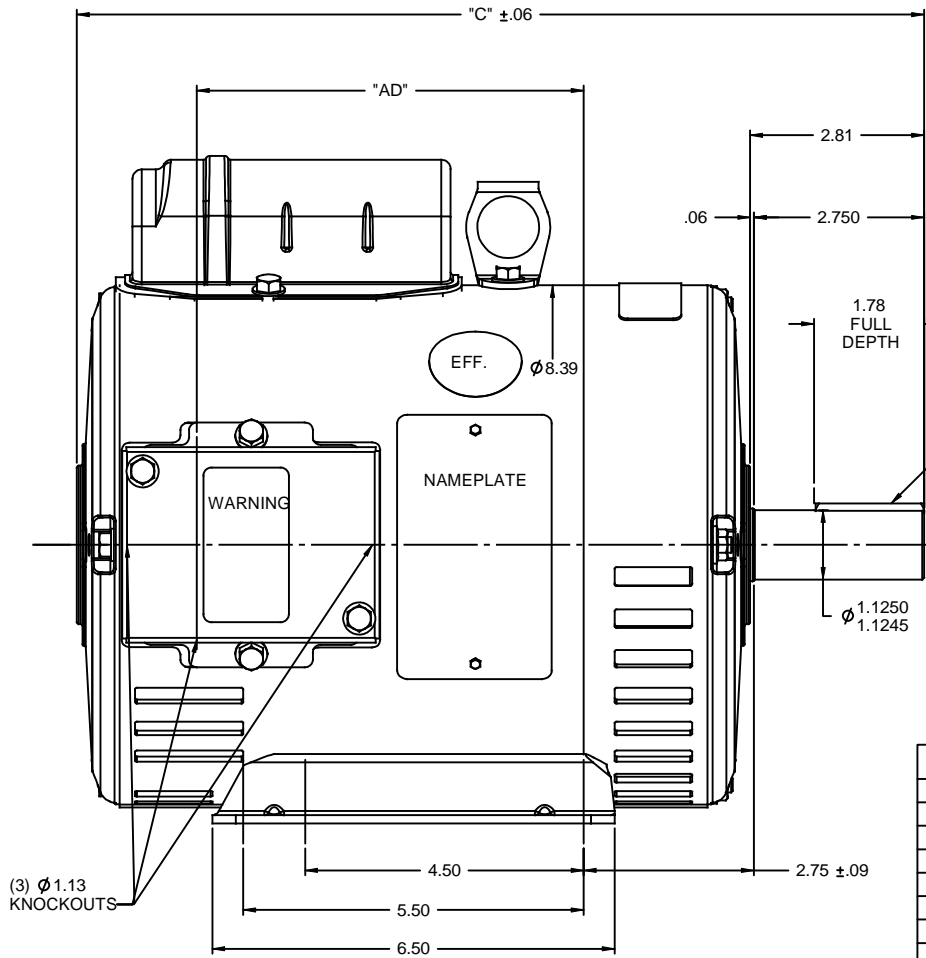
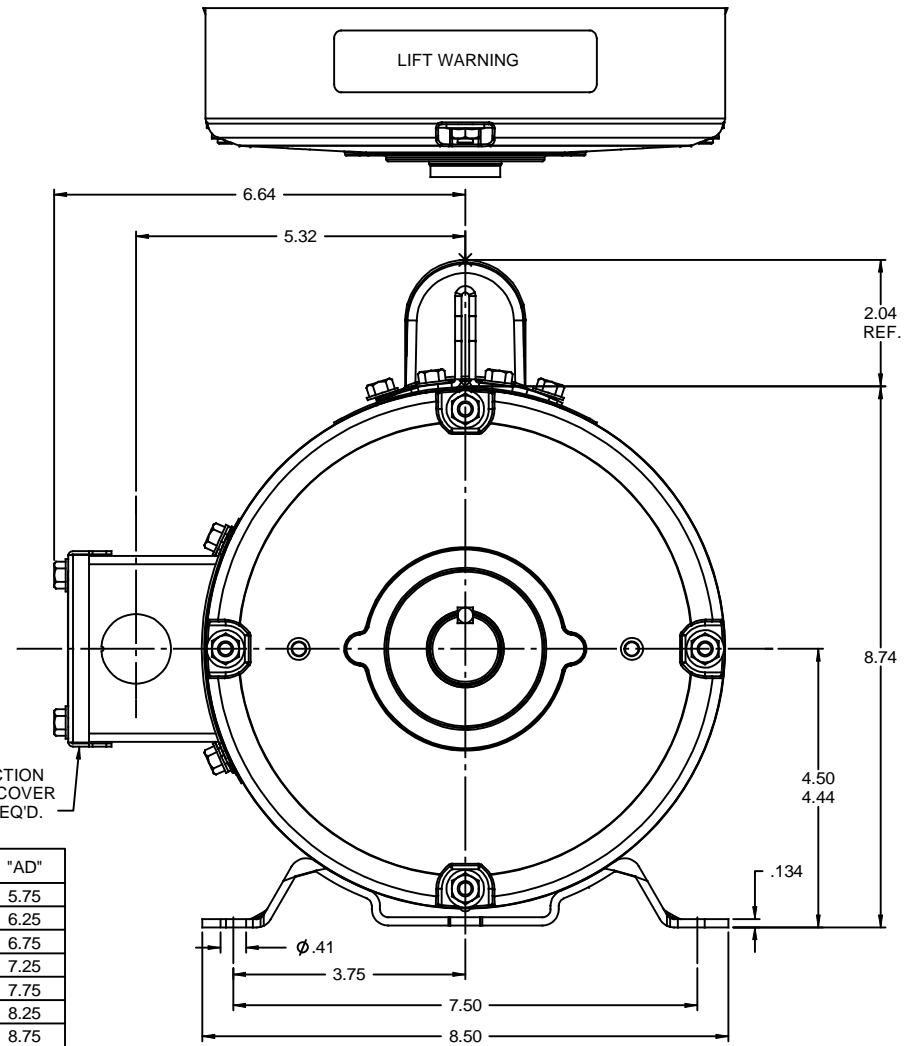


RBC PROPRIETARY AND CONFIDENTIAL INFORMATION
 This document is the property of REGAL BELOIT CORPORATION ("RBC") including its subsidiaries and divisions and contains proprietary information of RBC. This document is loaned on the express condition that neither it nor the information contained therein shall be disclosed to others without the express written consent of RBC, and that the information shall be used by the recipient only as approved expressly by RBC. This document shall be returned to RBC upon its request. This document may be subject to certain restrictions under U.S. export control laws and regulations.



DASH NO.	"C"	"AD"
900	13.19	5.75
950	13.69	6.25
1000	14.19	6.75
1050	14.69	7.25
1100	15.19	7.75
1150	15.69	8.25
1200	16.19	8.75
1250	16.69	9.25



		TOLERANCES UNLESS SPECIFIED		DRAWN PG 8/18/97	
		DEC	INCHES	REGAL BELOIT CORPORATION	
		X	±.1	CHK	
		.XX	±.03	APPR	
		.XXX	±.005	TITLE	OUTLINE - 180T FRAME
		.XXXX	±.0005	SCALE	1:2
- UPDATED & REDRAWN IN SOLIDWORKS		LST 12/31/2009	XX .XXXX ±.0005	REF	035000
NO		REVISION	BY & DATE	CHK ANG	±1/2°
				FINISH	
				RFP	PREV
				SIZE	DRAWING NO
				B	035348
				REV	-