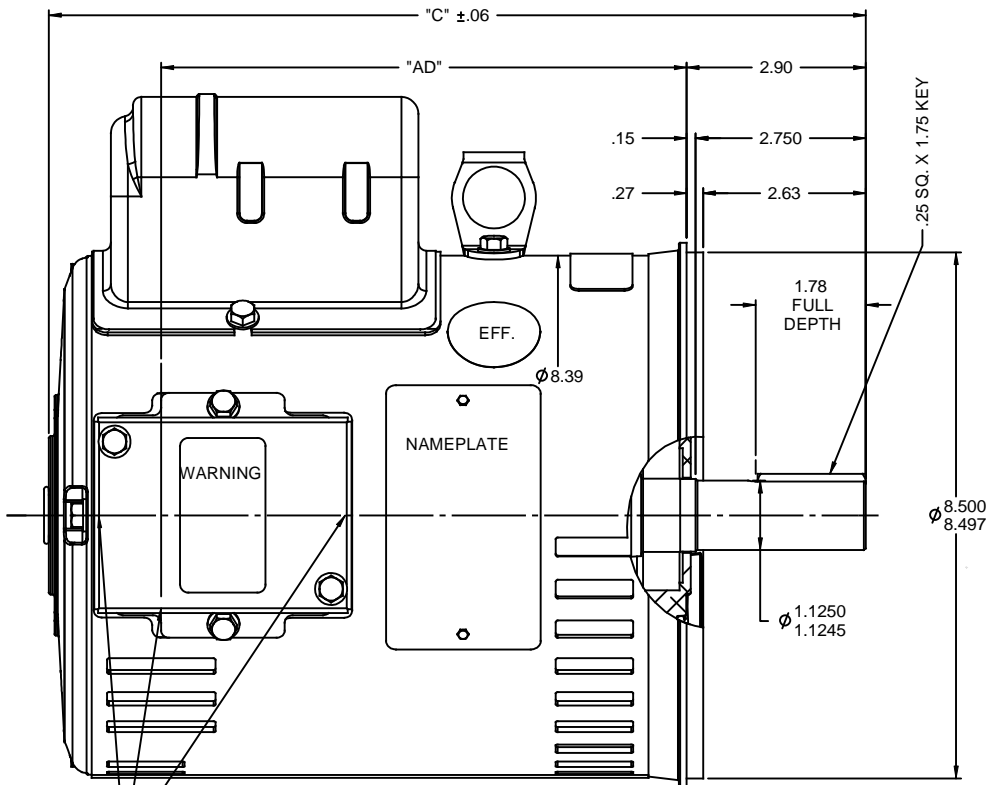
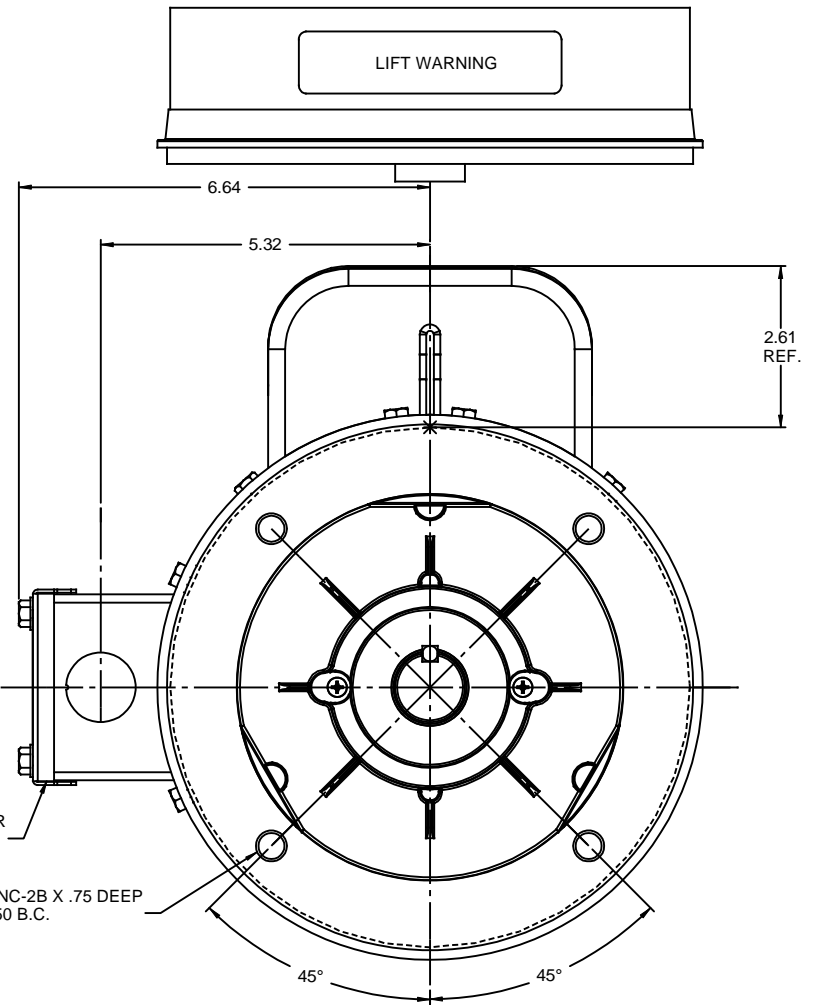


RBC PROPRIETARY AND CONFIDENTIAL INFORMATION
 This document is the property of REGAL BELOIT CORPORATION ("RBC") including its subsidiaries and divisions and contains proprietary information of RBC. This document is loaned on the express condition that neither it nor the information contained therein shall be disclosed to others without the express written consent of RBC, and that the information shall be used by the recipient only as approved expressly by RBC. This document shall be returned to RBC upon its request. This document may be subject to certain restrictions under U.S. export control laws and regulations.



(3) Ø 1.13
 KNOCKOUTS



GASKETS THROUGHOUT
 MAXIMUM FACE RUNOUT TO BE .004 T.I.R.
 MAXIMUM PILOT ECCENTRICITY TO BE .004 T.I.R.
 PERMISSIBLE SHAFT RUNOUT TO BE .002 T.I.R.

DASH NO.	"C"	"AD"
850	12.70	7.88
900	13.20	8.38
950	13.70	8.88
1000	14.20	9.38
1050	14.70	9.88
1100	15.20	10.38
1150	15.70	10.88

			TOLERANCES UNLESS SPECIFIED		DRAWN PG 10/3/97	
			DEC	INCHES	CHK RSK 10/3/97	
			x	±.1	APPR	
			.xx	±.03	SCALE 1:2	
			.xxx	±.005	REF 035059	
- UPDATED AND REDRAWN IN SOLIDWORKS			LST 12/21/2009	XX .xxx	±.005	FMF STANDARD
NO REVISION			BY & DATE	CHK ANG ±1/2°	FINISH	PAGE OF
THIRD ANGLE PROJECTION			RFP	PREV	SIZE	DRAWING NO
			NETWORK FILE NAME		B	035371
						REV -



TITLE OUTLINE - 180TC FRAME
 DRIP PROOF - "C" FACE