



Create Your Individual 3D PDF Datasheet



Learn How to Create Your Mechanical Product Catalog



Learn How to Create Your BIM Product Catalog

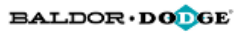


Reduce Your Costs in Engineering and Purchasing



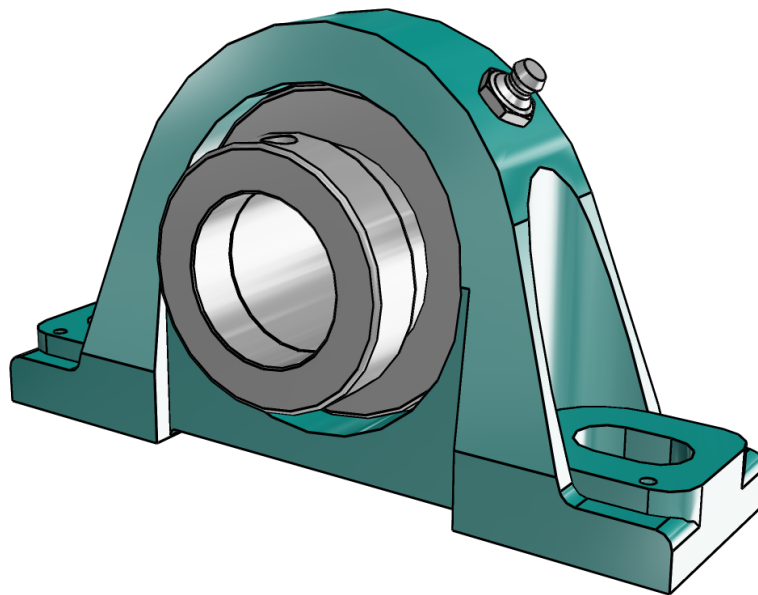
## 131839

### Eccentric Collar Pillow Block Bearings -(Normal Duty) -Low Backing Height



## 3D View

To activate the interactive 3D view, you must trust this document (see hint on the top) in Adobe Acrobat and click on the question mark.



#### Zoom

Moves you toward or away from objects in the scene when you drag vertically. You can also zoom with the hand tool by holding down Shift as you drag.

#### Pan

Moves the model vertically and horizontally only. You can also pan with the hand tool: Ctrl-drag.

#### Rotate

Turns 3D objects around relative to the screen. How the objects move depends on the starting view, where you start dragging and the direction in which you drag.

# 3D PDF DATASHEET



eCATALOGsolutions



BIM catalogs.net



PARTsolutions



Create Your Individual 3D PDF Datasheet ▶

Learn How to Create Your Mechanical Product Catalog ▶

Learn How to Create Your BIM Product Catalog ▶

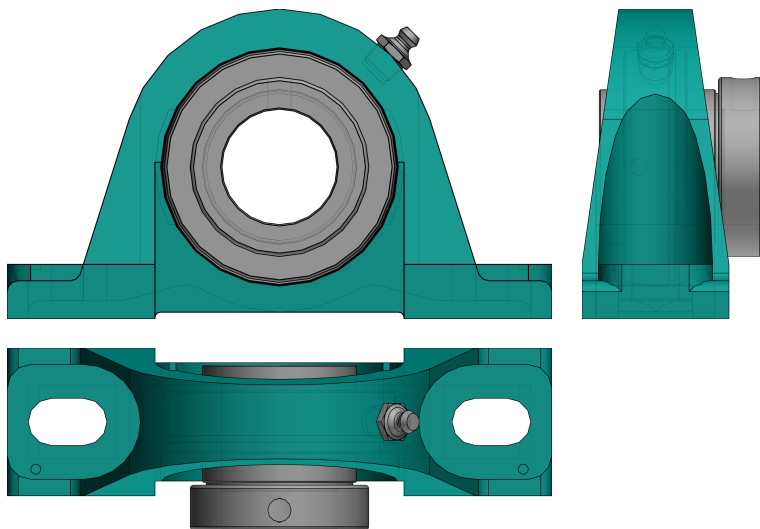
Reduce Your Costs in Engineering and Purchasing ▶

## 131839

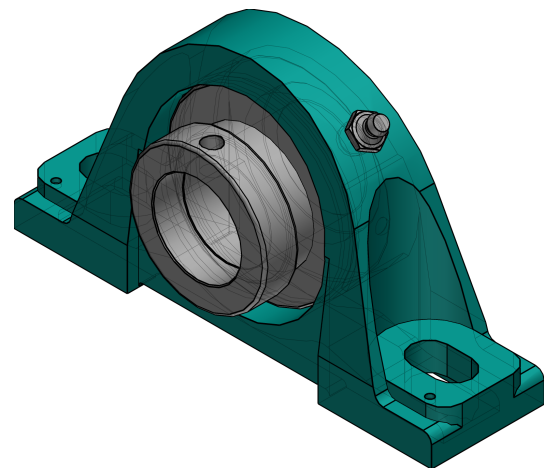
Eccentric Collar Pillow Block Bearings -(Normal Duty) -Low Backing Height



### 2D Derivation



### ISO View



3D PDF DATASHEET



eCATALOGsolutions



BIM catalogs.net



PARTsolutions



Create Your Individual 3D PDF Datasheet



Learn How to Create Your Mechanical Product Catalog



Learn How to Create Your BIM Product Catalog



Reduce Your Costs in Engineering and Purchasing

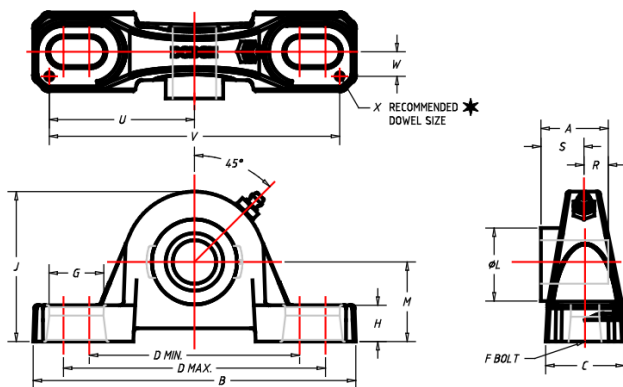


131839

Eccentric Collar Pillow Block Bearings -(Normal Duty) -Low Backing Height

BALDOR • DODGE

## Technical Drawings



NOTES:

GREASE USED:  
EXXON UNIREX N2

SEAL TYPE:  
DUAL GUARD LIP SEAL  
W/ RUBBERIZED FLINGER

# 3D PDF DATASHEET



 eCATALOG solutions




 BIM catalogs.net



 PART solutions



Create Your Individual 3D PDF Datasheet 

Learn How to Create Your Mechanical Product Catalog 

Learn How to Create Your BIM Product Catalog 

Reduce Your Costs in Engineering and Purchasing 

## 131839

Eccentric Collar Pillow Block Bearings -(Normal Duty) -Low Backing Height



### Technical Data

SERIES (Series)	207
SS (Shaft Size / INCH)	1-3/8
PN (Part No.)	131839
DESCRIPTION (Description)	P2B-SXRB-106
WEIGHT (Weight / lbs)	4.2
A (A / INCH)	1.95
B (B / INCH)	6.50
C (C / INCH)	1.75
DMIN (Dmin / INCH)	4.68
DMAX (Dmax / INCH)	5.44
F (Bolt Diameter / INCH)	1/2
G (G / INCH)	0.94
H (H / INCH)	0.65
J (J / INCH)	3.69
L (L / INCH)	2.13
M (M / INCH)	1.81
R (R / INCH)	0.67
S (S / INCH)	1.28
U (U / INCH)	2.91
V (V / INCH)	5.82
W (W / INCH)	0.56
X (X / INCH)	0.12

# 3D PDF DATASHEET



 eCATALOG solutions



 BIM catalogs.net



 PART solutions



Create Your Individual 3D PDF Datasheet 

Learn How to Create Your Mechanical Product Catalog 

Learn How to Create Your BIM Product Catalog 

Reduce Your Costs in Engineering and Purchasing 

## 131839

Eccentric Collar Pillow Block Bearings -(Normal Duty) -Low Backing Height



### Bill of Materials

N°	Name	Description	Amount
1	assembly	131839	1
1.1	HOUSING	131839	1
1.2	INSERT	131914	1
1.3	GREASEFITTING	405015E	1