

3D PDF DATASHEET



 eCATALOG solutions



 BIM catalogs.net



 PART solutions



Create Your Individual 3D PDF Datasheet ▶

Learn How to Create Your Mechanical Product Catalog ▶

Learn How to Create Your BIM Product Catalog ▶

Reduce Your Costs in Engineering and Purchasing ▶

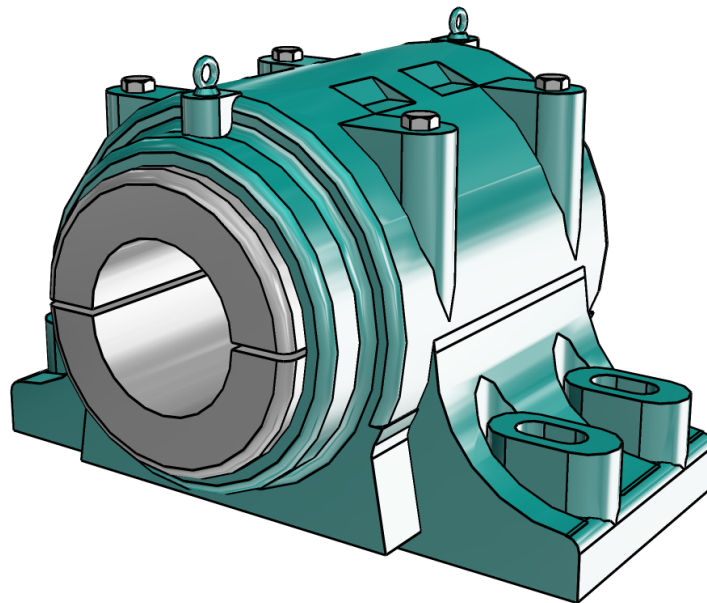
134227

SLEEVOIL

BALDOR • DODGE

3D View

To activate the interactive 3D view, you must trust this document (see hint on the top) in Adobe Acrobat and click on the question mark.



Zoom

Moves you toward or away from objects in the scene when you drag vertically. You can also zoom with the hand tool by holding down Shift as you drag.

Pan

Moves the model vertically and horizontally only. You can also pan with the hand tool: Ctrl-drag.

Rotate

Turns 3D objects around relative to the screen. How the objects move depends on the starting view, where you start dragging and the direction in which you drag.

3D PDF DATASHEET



 eCATALOG solutions



 BIM catalogs.net



 PART solutions



Create Your Individual 3D PDF Datasheet 

Learn How to Create Your Mechanical Product Catalog 

Learn How to Create Your BIM Product Catalog 

Reduce Your Costs in Engineering and Purchasing 

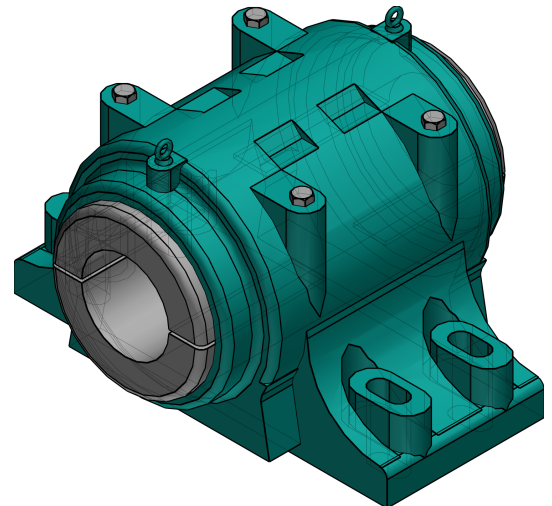
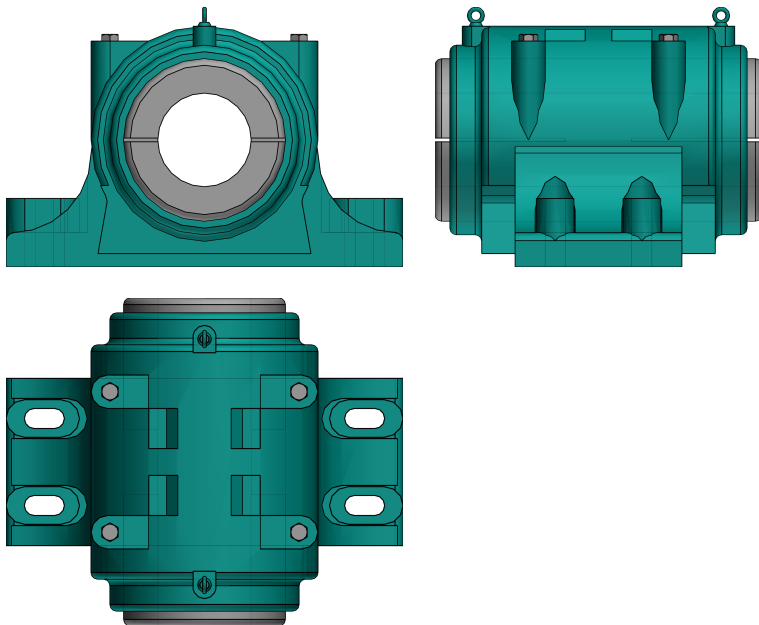
134227

SLEEVOIL

BALDOR • DODGE

2D Derivation

ISO View



3D PDF DATASHEET



eCATALOGsolutions



BIM catalogs.net



PARTsolutions



Create Your Individual 3D PDF Datasheet

Learn How to Create Your Mechanical Product Catalog

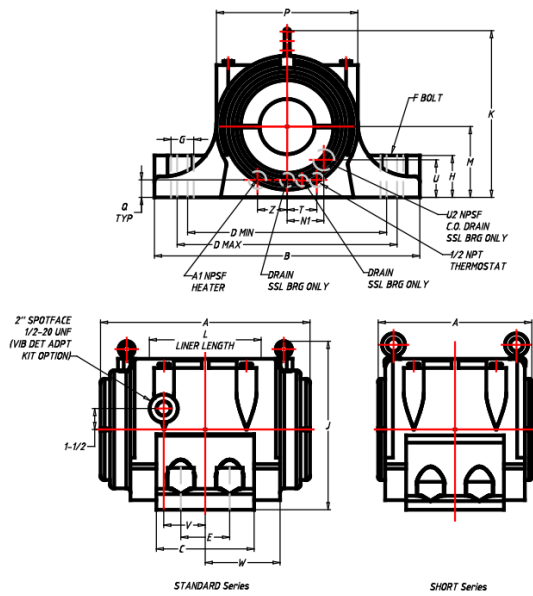
Learn How to Create Your BIM Product Catalog

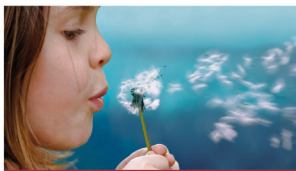
Reduce Your Costs in Engineering and Purchasing

134227
SLEEVOIL

BALDOR • DODGE

Technical Drawings





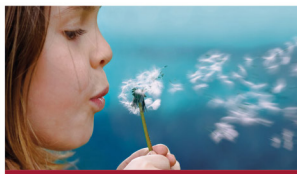
134227

SLEEVOIL

Technical Data

SS (Shaft Size / INCH)	7
TYPE (Expansion Type)	STL Non - Expansion Pillow Blocks
PN (Part Number)	134227
WEIGHT (Weight / lbs)	944
SCPN (Split Thrust Collar Part Number)	133296
SCWT (Split Thrust Collar Weight / lbs)	31.3
A (A / INCH)	24-1/2
B (B / INCH)	29-3/4
C (C / INCH)	12-1/2
DMIN (DMIN / INCH)	22-5/8
DMAX (DMAX / INCH)	25-3/8
E (E / INCH)	6-1/2
F (Bolt Diameter / INCH)	1-1/2
G (G / INCH)	3
H (H / INCH)	5-1/8
J (J / INCH)	19-7/16
K (K / INCH)	20-1/4
L (L / INCH)	14
M (M / INCH)	9-1/2
N (N STL / INCH)	9-9/16
N1 (N1 SSL / INCH)	5
P (P / INCH)	17
Q (Q / INCH)	2
PLXC (R Pipe PLXC / INCH)	1-1/4
WC (R Pipe WC Rept / INCH)	3/4
T (T / INCH)	5
U (U / INCH)	3-3/4
U1 (U1 STL / INCH)	1-1/4
U2 (U2 SSL / INCH)	1-1/4
V (V / INCH)	4-1/2
W (W / INCH)	8-3/8
X (X / INCH)	12-15/16
YPLXC (Y PLXC / INCH)	1-3/4

3D PDF DATASHEET



 eCATALOG solutions




 BIM catalogs.net




 PART solutions



Create Your Individual 3D PDF Datasheet 

Learn How to Create Your Mechanical Product Catalog 

Learn How to Create Your BIM Product Catalog 

Reduce Your Costs in Engineering and Purchasing 

134227

SLEEVOIL

BALDOR • DODGE

Technical Data

YWC (Y WC Rept / INCH)	1-1/4
Y1PLXC (Y1 PLXC / INCH)	2
Y1WC (Y1 WC / INCH)	1-1/4
Z (Z / INCH)	5
A1 (A1 / INCH)	1
B1 (B1 / INCH)	10-7/8
TC (Thrust Collars Diameter X Width / INCH)	10 x 2-11/16
O (Oil (Fl.oz.) / INCH)	240

3D PDF DATASHEET



 eCATALOG solutions




 BIM catalogs.net




 PART solutions



Create Your Individual 3D PDF Datasheet 

Learn How to Create Your Mechanical Product Catalog 

Learn How to Create Your BIM Product Catalog 

Reduce Your Costs in Engineering and Purchasing 

134227

SLEEVOIL



Bill of Materials

N°	Name	Description	Amount
1	assembly	134227	1
1.1	pecss_body	134227B	1
1.2	pecss_insert	134227I	1