



eCATALOGsolutions



BIM catalogs.net



PARTsolutions



Create Your Individual 3D PDF Datasheet



Learn How to Create Your Mechanical Product Catalog



Learn How to Create Your BIM Product Catalog



Reduce Your Costs in Engineering and Purchasing



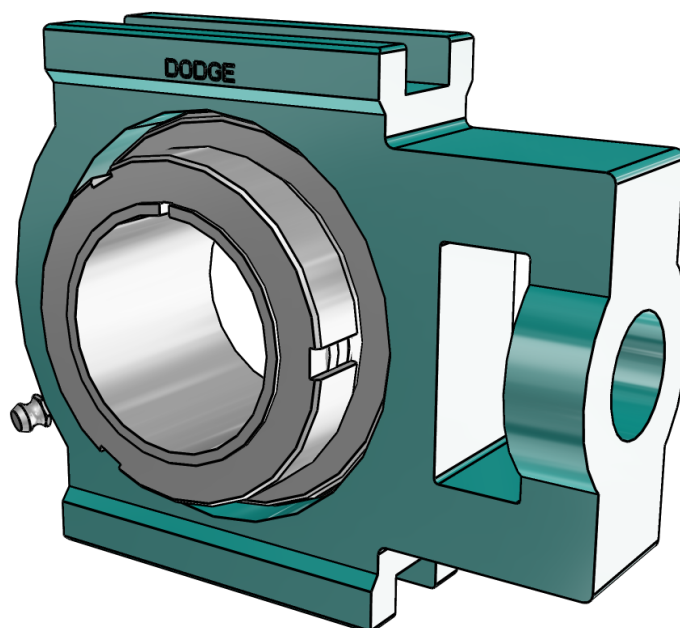
136146

GT Wide Slot Take-Up Bearings -(Normal Duty)



3D View

To activate the interactive 3D view, you must trust this document (see hint on the top) in Adobe Acrobat and click on the question mark.



Zoom

Moves you toward or away from objects in the scene when you drag vertically. You can also zoom with the hand tool by holding down Shift as you drag.

Pan

Moves the model vertically and horizontally only. You can also pan with the hand tool: Ctrl-drag.

Rotate

Turns 3D objects around relative to the screen. How the objects move depends on the starting view, where you start dragging and the direction in which you drag.

3D PDF DATASHEET



eCATALOGsolutions



BIM catalogs.net



PARTsolutions



Create Your Individual 3D PDF Datasheet



Learn How to Create Your Mechanical Product Catalog



Learn How to Create Your BIM Product Catalog



Reduce Your Costs in Engineering and Purchasing

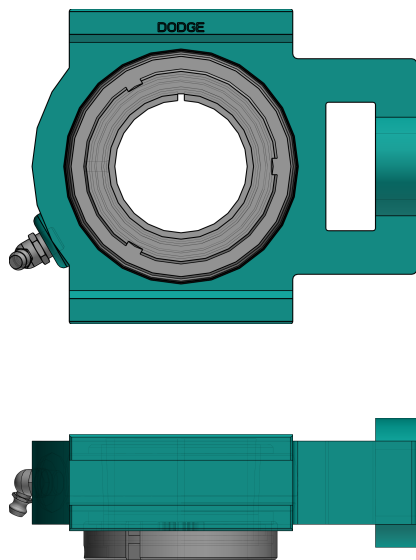


136146

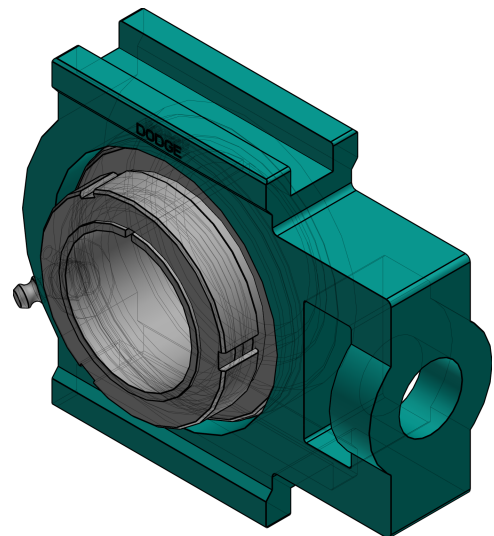
GT Wide Slot Take-Up Bearings -(Normal Duty)



2D Derivation



ISO View



3D PDF DATASHEET



eCATALOGsolutions



BIM catalogs.net



PARTsolutions



Create Your Individual 3D PDF Datasheet

Learn How to Create Your Mechanical Product Catalog

Learn How to Create Your BIM Product Catalog

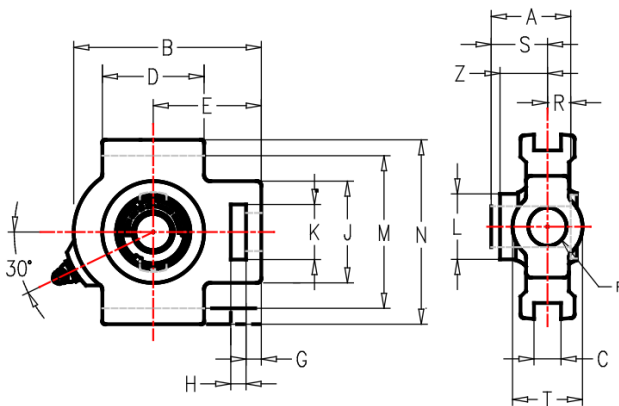
Reduce Your Costs in Engineering and Purchasing

136146

GT Wide Slot Take-Up Bearings -(Normal Duty)

BALDOR • DODGE

Technical Drawings



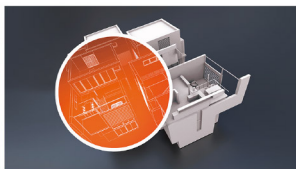
NOTES:

*GREASE USED:
EXXON UNIREX N2*

*SEAL TYPE:
DUAL GUARD LIP SEAL
W/ RUBBERIZED FLINGER*



 eCATALOG solutions



 BIM catalogs.net



 PART solutions



Create Your Individual 3D PDF Datasheet 

Learn How to Create Your Mechanical Product Catalog 

Learn How to Create Your BIM Product Catalog 

Reduce Your Costs in Engineering and Purchasing 

136146

GT Wide Slot Take-Up Bearings -(Normal Duty)



Technical Data

SERIES (Series)	210
SS (Shaft Size / INCH)	2
PN (Part No.)	136146
DESCRIPTION (Description)	WSTU-GT-200
A (A / INCH)	1-55/64
B (B / INCH)	5-13/16
C (C / INCH)	0.673 / 0.703
D (D / INCH)	3-3/8
E (E / INCH)	3-9/16
F (Screw Diameter / INCH)	1
G (G / INCH)	5/8
H (H / INCH)	3/4
J (J / INCH)	3-1/4
K (K / INCH)	1-15/16
L (L / INCH)	2-15/16
M (M / INCH)	3.985 / 4.015
N (N / INCH)	4-3/4
R (R / INCH)	21/32
S (S / INCH)	1-13/64
T (T / INCH)	1-15/16
Z (Z / INCH)	1-5/32

3D PDF DATASHEET



 eCATALOG solutions



 BIM catalogs.net



 PART solutions



Create Your Individual 3D PDF Datasheet 

Learn How to Create Your Mechanical Product Catalog 

Learn How to Create Your BIM Product Catalog 

Reduce Your Costs in Engineering and Purchasing 

136146

GT Wide Slot Take-Up Bearings -(Normal Duty)



Bill of Materials

N°	Name	Description	Amount
1	assembly	136146	1
1.1	bodi	WSTU-GT-10	1
1.2	GTAGTMA_LNA_I	129919	1
1.3	INS_GT_I	129523	1
1.4	GF405016	405016	1