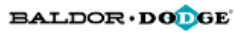




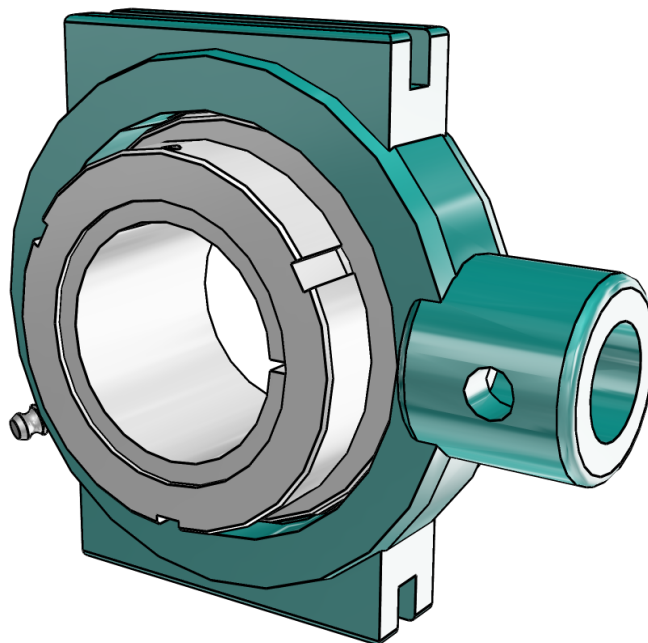
## 136245

### GT Normal Duty Narrow Slot Take-Up Bearings



### 3D View

To activate the interactive 3D view, you must trust this document (see hint on the top) in Adobe Acrobat and click on the question mark.



#### Zoom

Moves you toward or away from objects in the scene when you drag vertically. You can also zoom with the hand tool by holding down Shift as you drag.

#### Pan

Moves the model vertically and horizontally only. You can also pan with the hand tool: Ctrl-drag.

#### Rotate

Turns 3D objects around relative to the screen. How the objects move depends on the starting view, where you start dragging and the direction in which you drag.

# 3D PDF DATASHEET



 eCATALOG solutions




 BIM catalogs.net




 PART solutions



Create Your Individual 3D PDF Datasheet 

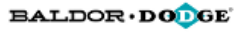
Learn How to Create Your Mechanical Product Catalog 

Learn How to Create Your BIM Product Catalog 

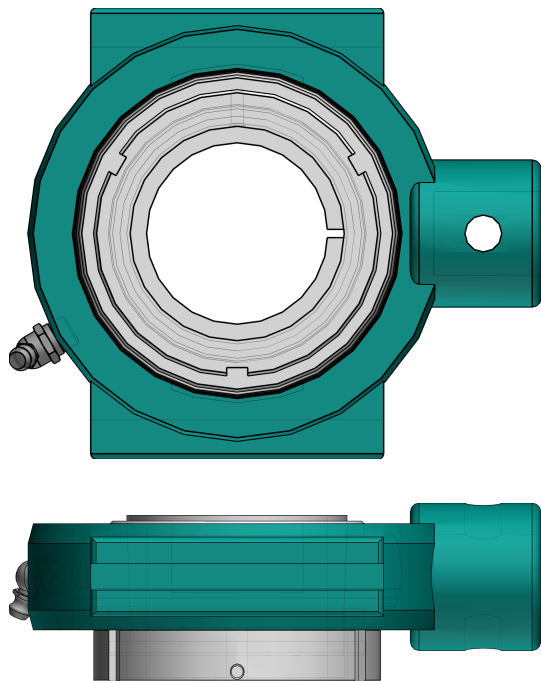
Reduce Your Costs in Engineering and Purchasing 

## 136245

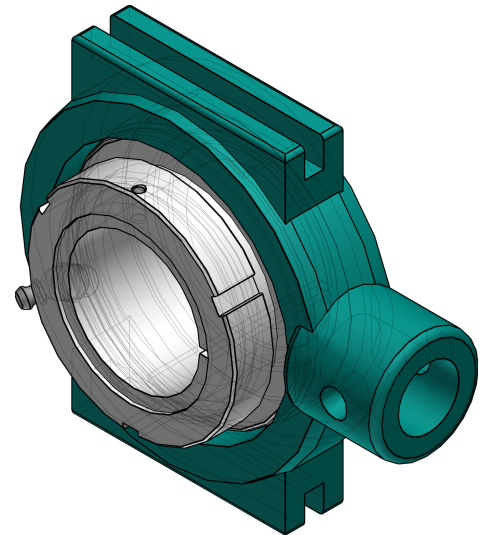
### GT Normal Duty Narrow Slot Take-Up Bearings



#### 2D Derivation



#### ISO View





Create Your Individual 3D PDF Datasheet



Learn How to Create Your Mechanical Product Catalog



Learn How to Create Your BIM Product Catalog



Reduce Your Costs in Engineering and Purchasing

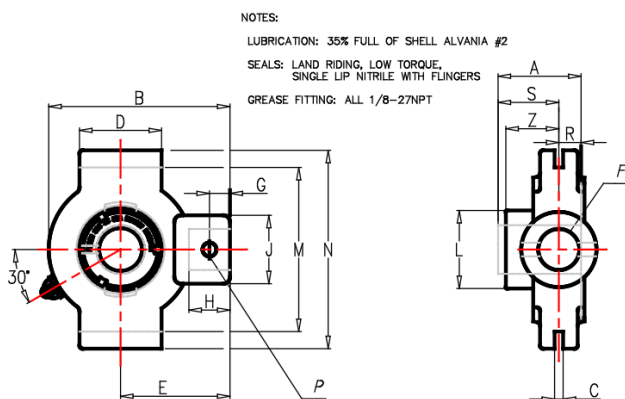


## 136245

### GT Normal Duty Narrow Slot Take-Up Bearings



## Technical Drawings



*NOTES:*

*GREASE USED:  
 EXXON UNIREX N2*

*SEAL TYPE:  
 DUAL GUARD LIP SEAL  
 W/ RUBBERIZED FLINGER*






Create Your Individual 3D PDF Datasheet



Learn How to Create Your Mechanical Product Catalog



Learn How to Create Your BIM Product Catalog



Reduce Your Costs in Engineering and Purchasing



## 136245

### GT Normal Duty Narrow Slot Take-Up Bearings



## Technical Data

SERIES (Series)	211
SS (Shaft Size)	55
PN (Part No.)	136245
DESCRIPTION (Description)	NSTU-GT-55M
PNSL (Part No. of Unit without Adapter Sleeve & Lock Nut)	136217
DESCRIPTIONSL (Description of Unit without Adapter Sleeve & Lock Nut)	NSTU-GT-11
PNA (Part No. of Adapter Sleeve & Lock Nut)	136559
DESCRIPTIONA (Description of Adapter Sleeve & Lock Nut)	AN-GT-11-55M-D
W (Weight / kg)	3
TUFS (Take-up Frame Size)	NS407
A (A / mm)	49
B (B / mm)	155.7
C (C / mm)	7.95
D (D / mm)	88.9
E (E / mm)	92.2
F (F / mm)	25.4
G (G / mm)	17.5
H (H / mm)	32.5
J (J / mm)	44.5
L (L / mm)	87.1
M (M / mm)	112.98/112.22
N (N / mm)	136.7
P (P / mm)	11.2
R (R / mm)	17
S (S / mm)	32
Z (Z / mm)	33.5
CAPS (Capacity Static / lbs)	5630
CAPD (Capacity Dynamic / lbs)	9975

## 3D PDF DATASHEET



 eCATALOG solutions




 BIM catalogs.net



 PART solutions



Create Your Individual 3D PDF Datasheet 

Learn How to Create Your Mechanical Product Catalog 

Learn How to Create Your BIM Product Catalog 

Reduce Your Costs in Engineering and Purchasing 

## 136245

### GT Normal Duty Narrow Slot Take-Up Bearings



### Bill of Materials

N°	Name	Description	Amount
1	assembly	136245	1
1.1	body	136245I	1
1.2	GF405016	405016	1