

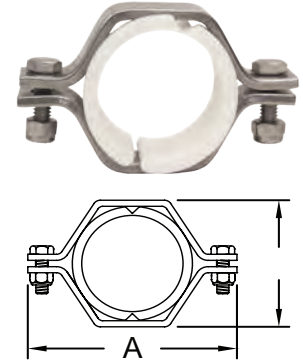
Tube Hangers

Hex Tube Hanger with ABS Sleeve - B24PS

Feature:

- maximum temperatures: **230°F**

Tube OD	Dimensions		304 Stainless Steel	
	A	B	Part #	Price/E
½"	2.800"	1.150"	B24PS-G50	\$9.00
¾"	2.800"	1.150"	B24PS-G75	9.00
1"	3.425"	1.450"	B24PS-G100	12.10
1½"	4.000"	2.125"	B24PS-G150	13.25
2"	4.500"	2.500"	B24PS-G200	15.85
2½"	4.950"	3.125"	B24PS-G250	18.50
3"	5.500"	3.750"	B24PS-G300	20.80
4"	6.950"	4.750"	B24PS-G400	27.40
5"	8.063"	5.625"	B24PS-G500	77.70
6"	9.250"	6.625"	B24PS-G600	68.25
8"	11.500"	8.625"	B24PS-G800	109.70



Sleeves - 13PS

Features:

- maximum temperature: **230°F**
- high temperature sleeves are also available, contact Dixon

Size	ABS		Size	ABS	
	Part #	Price/E		Part #	Price/E
½"	13PS-50	\$6.85	3"	13PS-300	\$8.30
¾"	13PS-75	6.85	4"	13PS-400	10.50
1"	13PS-100	5.50	5"	13PS-500	62.95
1½"	13PS-150	5.50	6"	13PS-600	16.80
2"	13PS-200	5.50	8"	13PS-800	32.75
2½"	13PS-250	8.00			

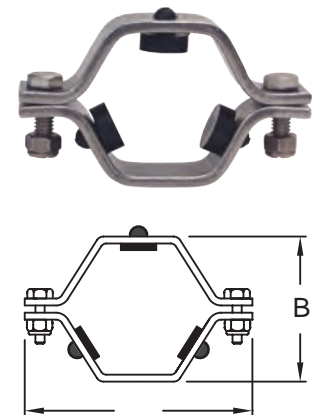


Hex Tube Hanger with Nitrile Grommets - B24RG

Features:

- replacement grommets are available, contact Dixon
- Nitrile grommets; maximum temperature: **230°F**

Tube OD	Dimensions		304 Stainless Steel	
	A	B	Part #	Price/E
½" - ¾"	3.425"	1.450"	B24RG-G75	\$11.05
1"	3.425"	1.450"	B24RG-G100	11.20
1½"	4.000"	2.125"	B24RG-G150	12.05
2"	4.500"	2.500"	B24RG-G200	14.55
2½"	4.950"	3.125"	B24RG-G250	16.60
3"	5.500"	3.750"	B24RG-G300	18.75
4"	6.950"	4.750"	B24RG-G400	24.40
5"	8.000"	5.625"	B24RG-G500	37.55
6"	9.250"	6.625"	B24RG-G600	40.40
8"	11.500"	8.625"	B24RG-G800	93.70


N