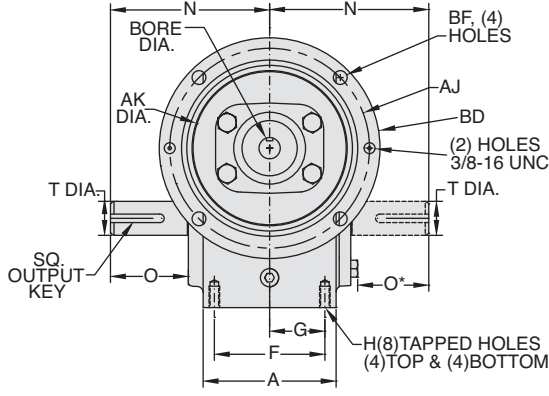
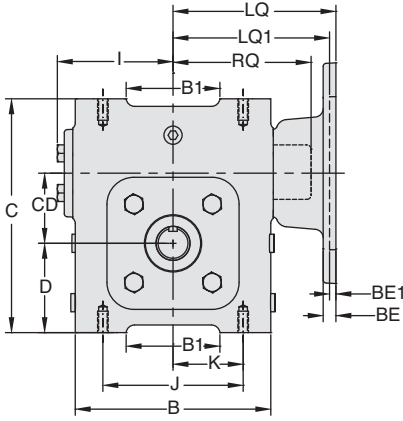


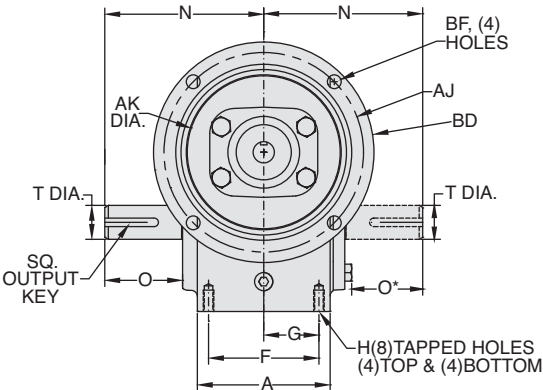
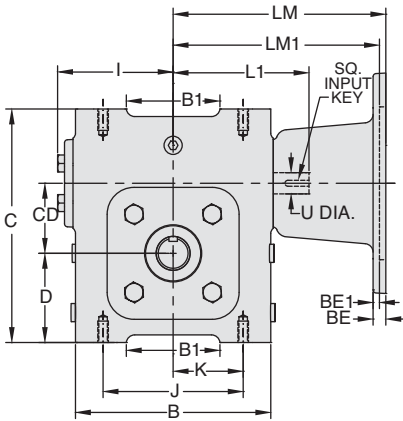
ELECTRA-GEAR EL Series Dimensions

Styles: BMQ, BM, B

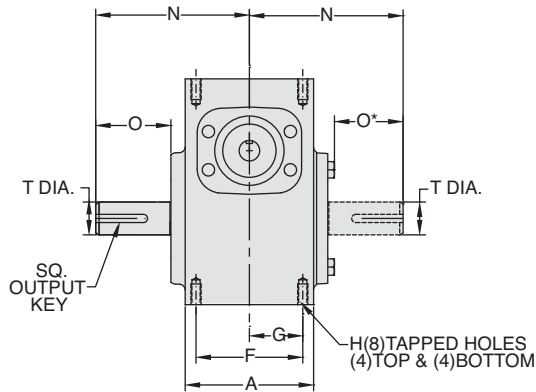
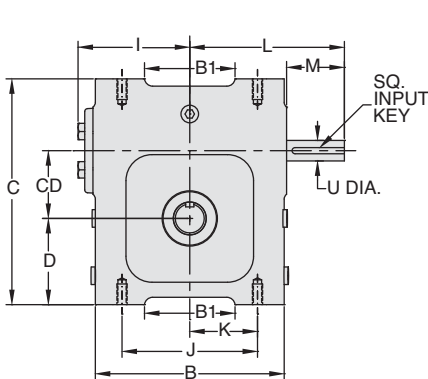
Style BMQ



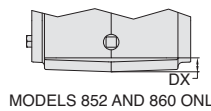
Style BM



Style B

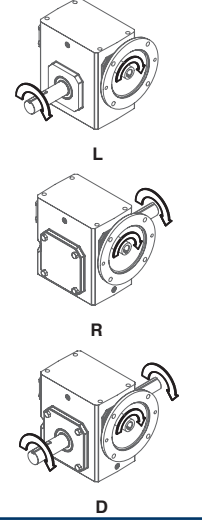


SIDE VIEW

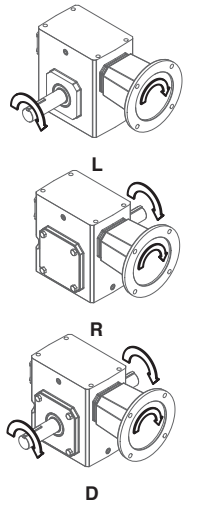


END VIEW

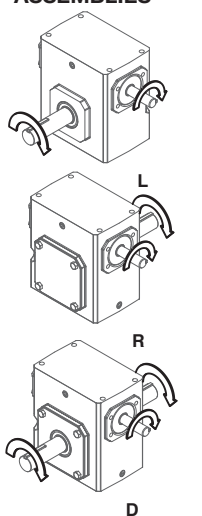
ASSEMBLIES



ASSEMBLIES



ASSEMBLIES



REVERSE ALL ARROWS FOR OPPOSITE INPUT SHAFT ROTATION. CONTACT FACTORY FOR OTHER MOUNTINGS OR ASSEMBLY POSITIONS.

Single Reduction
Worm Gear Reducers

Double Reduction
Worm - Worm Gear Reducers

Double Reduction
Helical - Worm Gear Reducers

WASHGUARD® Reducers
and GEAR+MOTOR™

Ratio Multipliers

Accessories and
Additional Capabilities

STYLE BMQ, BM, B DIMENSIONS (Inches)

Size	A	B	B1	C	CD	D	DX	F	G	H		I	J	K	L	M	N	O	O*	T +0.000 -0.0015	U +0.000 -0.0015	Input Key (Style B Only)	Input Key (Style BM only)	Output Key
										Tap Size	Depth													
EL813	2.82	3.80	--	4.66	1.33	1.72	--	2.00	1.00	5/16-18	0.50	2.40	3.25	1.63	3.82	1.87	4.00	2.16	1.96	0.625	0.500	1/8 x 1.00	1/8 x 1.00	3/16 x 1.38
EL818	3.50	4.83	2.48	5.86	1.75	2.31	--	2.94	1.47	5/16-18	0.63	3.03	3.69	1.84	4.45	1.78	4.39	2.05	1.85	0.750	0.625	3/16 x1.38	3/16 x .500	3/16 x 1.38
EL821	3.91	5.75	2.76	6.88	2.06	2.63	--	3.25	1.63	3/8-16	0.87	3.40	4.13	2.06	4.82	1.76	4.68	2.29	2.09	1.000	0.625	3/16 x1.38	3/16 x .500	1/4 x 1.44
EL824	4.06	5.86	--	6.94	2.38	2.50	--	2.88	1.44	3/8-16	0.69	3.61	5.00	2.50	5.51	2.45	5.14	2.66	2.46	1.125	0.750	3/16 x1.63	3/16 x .500	1/4 x 1.62
EL826	4.84	7.17	4.21	8.00	2.63	3.25	--	3.38	1.69	3/8-16	0.69	4.17	5.00	2.50	6.07	2.45	5.63	2.73	2.53	1.250	0.750	3/16 x1.63	3/16 x .500	1/4 x 1.62
EL830	5.25	8.11	4.50	8.94	3.00	3.50	--	4.13	2.06	1/2-13	1.00	4.81	5.75	2.88	6.56	2.31	6.62	3.60	3.37	1.500	0.875	3/16 x1.63	3/16 x .500	3/8 x 2.25
EL832	5.25	8.11	4.53	10.50	3.25	4.00	--	4.13	2.06	1/2-13	1.00	5.00	6.63	3.31	6.75	2.31	6.62	3.60	3.37	1.625	0.875	3/16 x1.63	3/16 x .500	3/8 x 2.25
EL842	6.13	9.63	5.71	11.69	4.25	4.50	--	3.75	1.88	5/8-11	1.19	6.15	7.00	3.50	9.57	3.47	8.12	4.50	4.22	1.750	1.250	1/4 x 2.50	1/4 x 2.50	3/8 x 3.00
EL852	7.19	11.50	7.82	12.25	5.25	4.25	0.75	5.25	2.63	3/4-10	1.44	7.55	9.62	4.81	10.88	3.38	9.06	4.78	4.50	2.000	1.250	1/4 x 3.00	1/4 x 3.00	1/2 x 2.50
EL860	7.00	13.50	--	14.25	6.00	5.00	1.63	5.38	2.69	7/8-9	1.63	7.88	11.00	5.50	10.99	3.00	10.75	5.25	5.25	2.250	1.500	3/8 x 3.00	3/8 x 2.75	1/2 x 4.00

Motor Mounting Dimensions

NEMA DIMENSIONS (Inches)

Size	LM	LM1	L1		LQ	LQ1	RQ	
	56C/140TC	180TC / 210TC	56C/140TC	180TC / 210TC	56C/140TC	180TC / 210TC	56C/140TC	180TC / 210TC
EL813	6.07	--	3.82	--	3.79	--	3.09	--
EL818	5.89	--	3.64	--	4.42	--	3.59	--
EL821	6.26	--	4.00	--	4.79	--	4.06	--
EL824	6.48	7.30	4.29	4.29	4.77	4.77	4.09	4.09
EL826	7.04	7.86	4.88	4.88	5.33	5.33	4.82	4.82
EL830	7.67	8.31	5.38	5.38	5.97	5.97	5.32	5.32
EL832	7.86	8.50	5.56	5.56	6.16	6.16	5.51	5.51
EL842	11.25	12.53	9.57	9.57	6.45	6.45	6.04	6.04
EL852	12.65	13.93	10.88	10.88	7.85	7.85	7.35	7.35
EL860	--	11.94	10.99	10.99	--	--	--	--

NEMA DIMENSIONS (Inches)

Frame	AJ	AK	BD	BE	BE1	Bore Dia.	Keyway	BF
56C	5.88	4.50	6.50	0.38	N/A	.625	3/16 X 3/32	0.41
140TC	5.88	4.50	6.50	0.38	N/A	.875	3/16 X 3/32	0.41
180TC	7.25	8.50	9.00	N/A	0.50	1.125	1/4 X 1/8	0.53
210TC	7.25	8.50	9.00	N/A	0.50	1.375	5/16 X 5/32	0.53

- * Applies to double output shaft
- ◆ Keyway width by depth
- * Solid input shaft and C-faced coupling input reducers have different input shaft length and key.



WARNING For safety, purchaser or user should provide protective guards over shaft extensions and any couplings, sheaves and belts, sprockets and chains, etc., mounted thereon.

INTEGRAL GEARMOTOR INPUTS AVAILABLE

— Contact Factory for price and availability.

EL SERIES MOUNTING DIMENSIONS

- EL Series mounting dimensions are the same as the original ELECTRA-GEAR product with an option to match the industry standard dimensions of GR Series.
- See page 52 for GR Series dimensions.

ELECTRA-GEAR INTERCHANGE GUIDE

Original Style	New Style
MSC or MLSC	BMQ
MC or MLC	BM
M or ML	B
M + "KV" Kit	B + "KV" Kit

Convert Style B to motorized coupling input using kits shown on page 278.

WASHGUARD® Maximum Rating Tables

Size 830 • GR, EL Series



Single Reduction
Worm Gear Reducers

Double Reduction
Worm - Worm Gear Reducers

Double Reduction
Helical - Worm Gear Reducers

WASHGUARD® Reducers
and GEAR-MOTOR™

Ratio Multipliers

Accessories and
Additional Capabilities

Style WBMQ

Style WHMQ



830 Series

Ratio	Input RPM	Output RPM+	Input HP	Output HP	Output Torque (lb-in)	NEMA C Input Frame▲	Left Hand Catalog No.	Right Hand Catalog No.	Double Extension Catalog No.	Hollow Output Catalog No.*
5	1750	350.0	9.093	8.573	1544	143-5TC	<u>8303037</u>	<u>8303049</u>	<u>8303061</u>	<u>8303513.XX</u>
7.5	1750	233.3	6.879	6.421	1734	143-5TC	<u>8303038</u>	<u>8303050</u>	<u>8303062</u>	<u>8303514.XX</u>
10	1750	175.0	6.151	5.655	2037	143-5TC	<u>8303039</u>	<u>8303051</u>	<u>8303063</u>	<u>8303515.XX</u>
15	1750	116.7	4.843	4.311	2329	143-5TC	<u>8303040</u>	<u>8303052</u>	<u>8303064</u>	<u>8303516.XX</u>
20	1750	87.5	3.947	3.407	2454	143-5TC	<u>8303041</u>	<u>8303053</u>	<u>8303065</u>	<u>8303517.XX</u>
25	1750	70.0	3.355	2.807	2527	143-5TC	<u>8303042</u>	<u>8303054</u>	<u>8303066</u>	<u>8303518.XX</u>
30	1750	58.3	2.879	2.332	2519	143-5TC	<u>8303043</u>	<u>8303055</u>	<u>8303067</u>	<u>8303519.XX</u>
40	1750	43.8	2.251	1.720	2477	56C 143-5TC	<u>8303008</u> <u>8303044</u>	<u>8303020</u> <u>8303056</u>	<u>8303032</u> <u>8303068</u>	<u>8303508.XX</u> <u>8303520.XX</u>
50	1750	35.0	1.915	1.383	2490	56C 143-5TC	<u>8303009</u> <u>8303045</u>	<u>8303021</u> <u>8303057</u>	<u>8303033</u> <u>8303069</u>	<u>8303509.XX</u> <u>8303521.XX</u>
60	1750	29.2	1.637	1.117	2413	56C 143-5TC	<u>8303010</u> <u>8303046</u>	<u>8303022</u> <u>8303058</u>	<u>8303034</u> <u>8303070</u>	<u>8303510.XX</u> <u>8303522.XX</u>
80	1750	21.9	0.895	0.585	1684	56C 143-5TC	<u>8303011</u> <u>8303047</u>	<u>8303023</u> <u>8303059</u>	<u>8303035</u> <u>8303071</u>	<u>8303511.XX</u> <u>8303523.XX</u>
100	1750	17.5	0.603	0.367	1321	56C	<u>8303012</u>	<u>8303024</u>	<u>8303036</u>	<u>8303512.XX</u>

For input/ output shaft overhung load and thrust load ratings, refer to pages 419-422.

▲ Contact Factory for other motor flanges available.

+ For gear reducer ratings at other input speeds, refer to basic reducer selection tables on pages 34-35.

How To Build a Part Number For Size GR830, EL830

1. Select partial catalog number from the selection table
2. Replace leading “_” with series code
3. For Hollow output, replace “XX” suffix with bore code.

Example:

GR Series Style WBMQ, 10:1 Left Hand Output, 140TC
GR-WBMQ830-10--140-L, GR8303039

Available bore codes

Fraction Size	1-3/16"	1-1/4"	1-7/16"	1-1/2"	1-5/8"	1-11/16"	1-3/4"	1-7/8"	1-15/16"	2"	2-3/16"
Decimal Size	1.188	1.250	1.438	1.250	1.500	1.625	1.750	1.875	1.938	2.000	2.188
Output Bore Code	19	20	23	24	26	27	28	30	31	32	35

* Catalog numbers are for hollow output shaft reducers.

When ordering, substitute the XX suffix with the required output bore code.