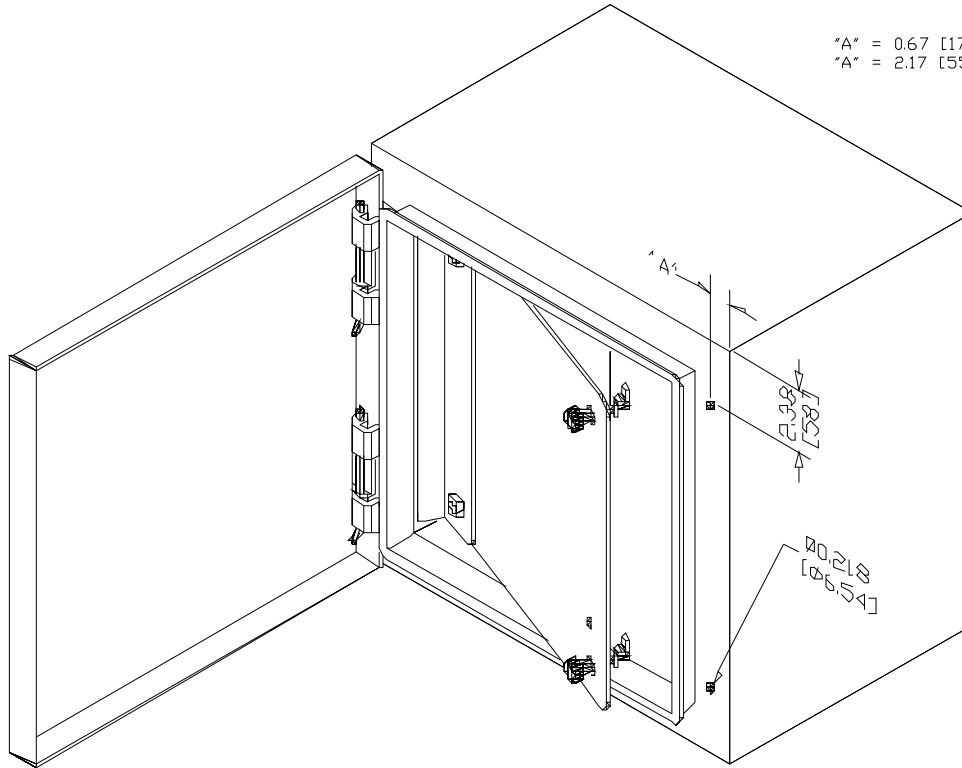
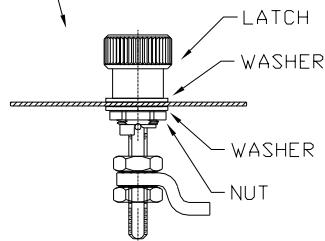
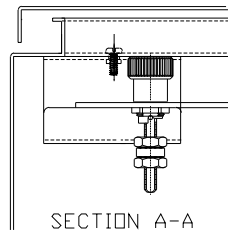
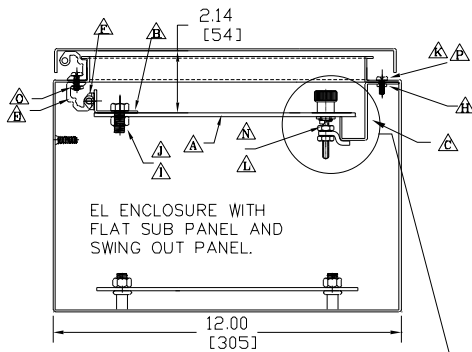


EL SWING OUT PANEL

A = 0.67 [17] for EL Wallmount Enclosures
 A = 2.17 [55] for XEL Wallmount Enclosures

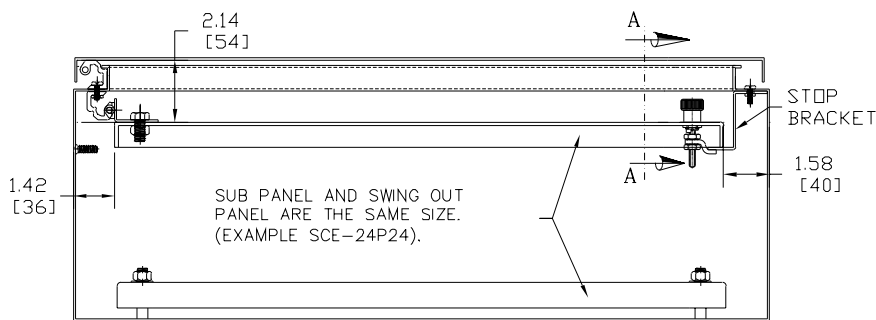


LOCATION & SIZE OF MOUNTING HOLES FOR STOP BRACKETS.
 (TYPICAL) TOP & BOTTOM.



INSTRUCTIONS

1. DETACH DOOR HINGE BY PULLING PIN.
2. DRILL HOLES FOR STOP BRACKET.
3. ATTACH BRACKET TO SUBPANEL.
4. ASSEMBLE LATCH TO SUBPANEL.
5. INSTALL STOP BRACKET (AND SPACER IF REQUIRED).
6. ASSEMBLE HINGES BACK TO BACK.
7. ATTACH HINGE TO BRACKET.



EL ENCLOSURE WITH BENT SUB PANEL AND SWING OUT PANEL.

ITEM LETTER	QUANTITY	PART NAME
△	2	10-32 X 1/2 BUTTON HEAD S.S.SCREWS
△	4	WASHERS
△	2	LATCHES
△	2/3	10-32 SEALING WASHERS
△	2/3	3/8 NUTS
△	2/3	3/8 X 1.00 BOLTS
△	2	10/32 PEM NUTS
△	2/3	SCE CONCEALED HINGE TAB
△	2/3	SCE CONCEALED HINGE
△	1	LATCH SIDE BRKT. .075 H.R.S.
△	1	HINGE SIDE MTG. BRKT. .075 H.R.S.
△	1	SWING PANEL BLANK: .125 H.R.S.