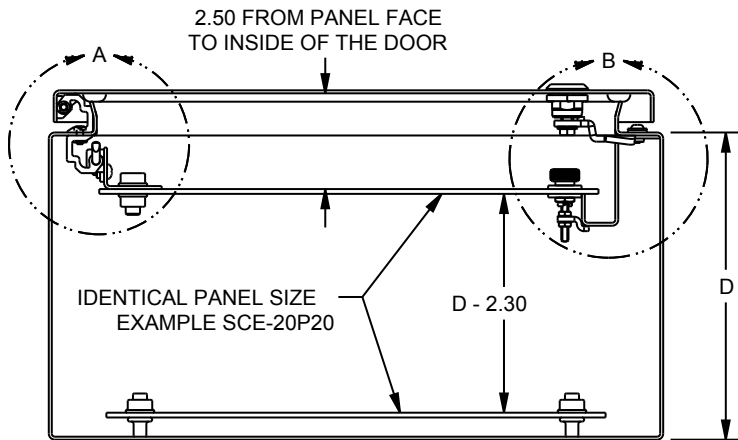
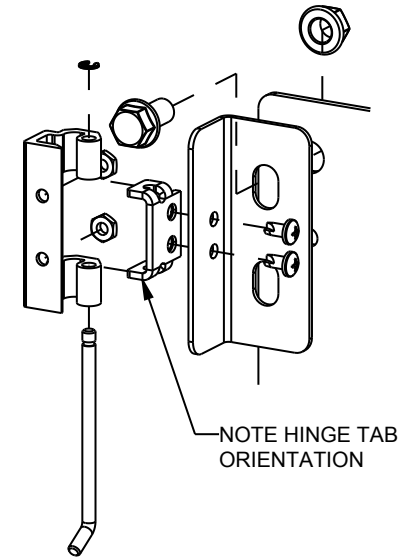
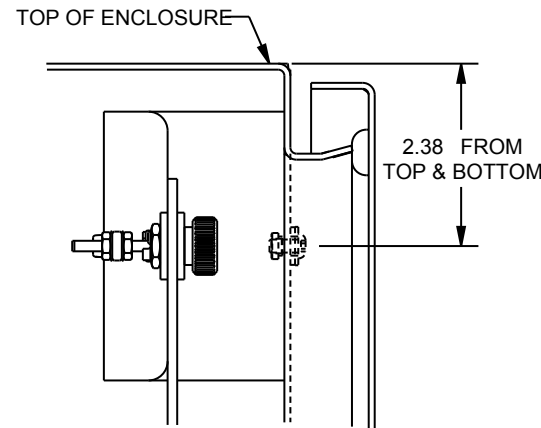
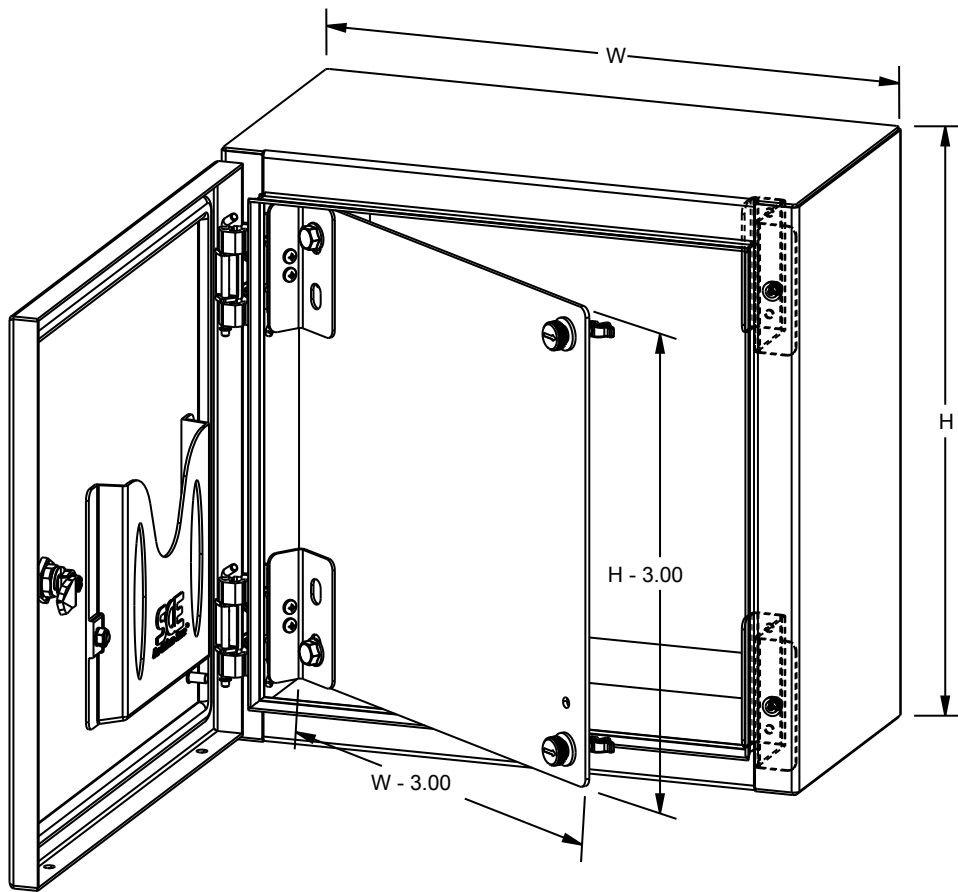


# SAGINAW CONTROL & ENGINEERING SPEC-ELSP-16H-OR-LESS-INSTMAN SPECIFICATIONS, EL SWING OUT PANEL ENCLOSURE HEIGHT LESS THAN 16 HIGH

1. SCE-ELSP INTENDED FOR CONCEALED HINGE ENCLOSURES THAT ARE  $\geq 12.00$  AND  $\leq 16.00$  IN HEIGHT. USE SCE-ELSP2 / SCE-ELSP3 FOR ENCLOSURES LARGER THAN 16 INCHES IN HEIGHT.
2. PANEL SWING IS APPROXIMATELY  $115^\circ$
3. PANEL CONSTRUCTION IS 11GA H.R.S. BRACKET CONSTRUCTION IS 14GA H.R.S.
4. PANEL KIT CONCEALED HINGES BOLT IN BEHIND EXISTING CONCEALED HINGES ON ENCLOSURE AND REQUIRE 2 ADDITIONAL HOLES TO BE DRILLED IN THE FLANGE ON THE LATCHING SIDE FOR CATCHES.
5. PANEL KITS COMPATIBLE WITH FLAT OR BENT SUBPANELS. PANEL IS NOT INCLUDED WITH KIT.



BOTTOM SECTION VIEW

