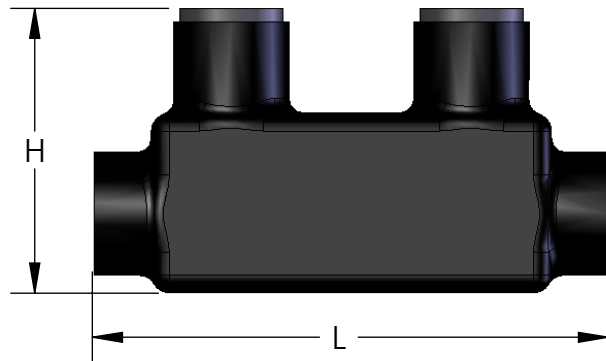


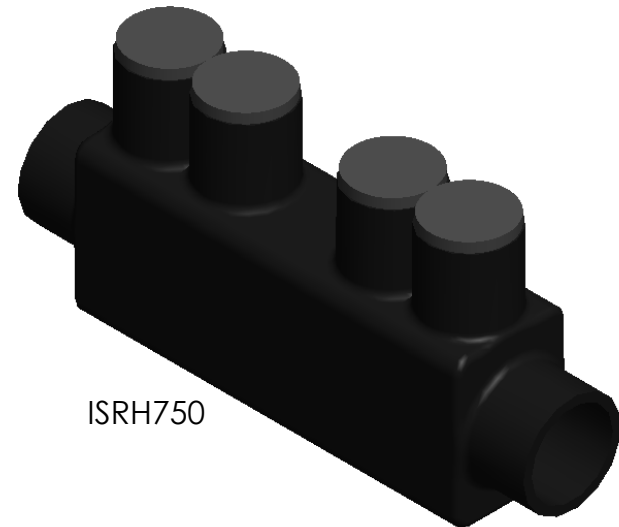
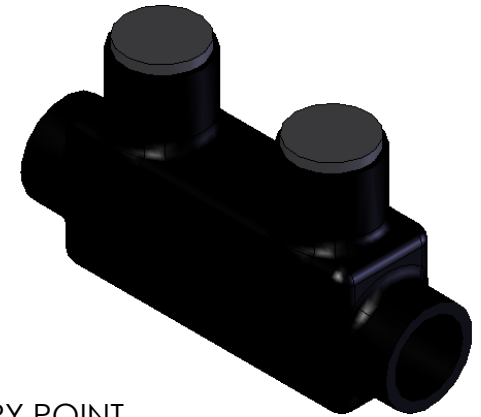


REMOVABLE CAP
TO TIGHTEN SCREW
(REPLACE WHEN COMPLETE)

5/16" INTERNAL HEX
PRESSURE SCREW



WIRE ENTRY POINT
WIRE RANGE: 350 KCMIL - #6 AWG
PRE-FILLED W/ OXIDE INHIBITOR



ISRH750

PART #	WIRE RANGE	HEX SIZE	L	H	W
ISR1/0	1/0-14	3/16	3.25	1.48	.90
ISR250	250-6	5/16	4.00	1.90	1.19
ISR350	350-6	5/16	4.47	2.20	1.32
ISR500	500-4	5/16	4.62	3.00	1.62
ISR600†	600-6	5/16	5.83	3.05	1.57
ISRH750	750-250	5/16	7.25	3.25	1.75

† 600 SERIES ARE AL7CU AND 75 °C

NOTES:

1. CONNECTOR MANUFACTURED FROM 6061-T6 ALUMINUM ALLOY.
2. UL LISTED PER UL486A/B SPECIFICATIONS FOR 600V.
3. DUAL RATED FOR 90 °C COPPER AND/OR ALUMINUM CONDUCTOR.
4. COLD TEMPERATURE RATED TO -45 °C.
5. HIGH DIELECTRIC STRENGTH INSULATION IS ABRASION, CHEMICAL AND UV RESISTANT.

CONTACT NSi FOR SALES @ 800.321.5847

		POLARIS SALES . CO . INC	
PROPRIETARY AND CONFIDENTIAL		11625 PROSPEROUS DRIVE ODESSA, FL 33556	
THE INFORMATION CONTAINED IN THIS DRAWING IS THE SOLE PROPERTY OF POLARIS SALES CO. INC. ANY REPRODUCTION IN PART OR AS A WHOLE WITHOUT THE WRITTEN PERMISSION OF POLARIS SALES CO. INC. IS PROHIBITED.		TITLE: INSULATED SPLICE CONNECTOR SERIES	
DWG. NO. ISR SERIES		DWG. NO. ISR SERIES	
NAME L. HILL	DATE 10-21-10	MATERIAL: N/A	
SCALE: N/A		SHEET: 1 OF 1	