

## SPECIFICATION SHEET

**8000 SERIES**    
**MANY DAILY ON/OFF OPERATIONS PER DAY**  
**DUTY CYCLE**  
**24 HOUR TIME SWITCH**

### APPLICATIONS

- Duty cycling, ventilating fans.
- Pumping, irrigation.
- Process control, laboratory experiments.
- For one or multiple daily ON/OFF operation.

### FEATURES

#### SCHEDULING:

Minimum ON setting is 15 minutes with minimum OFF setting at 15 minutes. Dial has 96 captive tabs.

#### DUTY CYCLE:

Adjustable from 1/2, 1, 2, 3, 4, 6, 12, and 24 hours.

#### SKIP-A-DAY:

Some models include 7 day or 14 day wheel to omit selected days of the week.

#### OPTIONAL RESERVE POWER:

"L" models keep dial on time up to 16 hours during power outage.

### SPECIFICATIONS

#### INPUT VOLTAGE:

120, 208-277VAC or 480VAC, 60Hz, varies by model.

#### TIMING ACCURACY:

Line frequency.

#### TERMINAL RANGE:

#8 - #14AWG.

#### OPERATING TEMPERATURE:

-40 °F to 165 °F (-40 °C to 74 °C).

#### POWER CONSUMPTION:

3 watts, 5 watts for "L" models maximum.

#### ENCLOSURE:

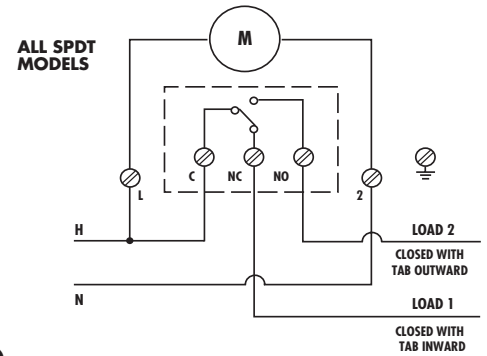
Lockable hasp. Type varies by model (see page 557 for enclosure dimensions).

#### OTHER MOUNTINGS:

Intermatic® Adaptor Plate model #IAP allows 8001 & 8004 to fit into an Intermatic case.



### WIRE DIAGRAM



### ORDERING INFO

| CAT. NO.  | UPC CODE | INPUT SUPPLY (VAC) 60Hz | OUTPUT CONTACTS | ENCLOSURE TYPE                                      |
|---|----------|-------------------------|-----------------|---|
| 8001  | 70001    | 120                     | SPDT            | Metal Indoor NEMA 1                                 |
| 8001-N  | 70025    | 120                     | SPDT            | Noryl® Indoor/Outdoor NEMA 3R                       |
| 8001-NC   | 70009    | 120                     | SPDT            | Noryl® Indoor/Outdoor NEMA 3R w/ clear Lexan® cover |
| 8001-LC/WB  | 70010    | 120                     | SPDT            | Mechanism and bracket                               |
| 8001-O  | 70029    | 120                     | SPDT            | Metal Indoor/Outdoor NEMA 3                         |
| 8004  | 70002    | 208-277                 | SPDT            | Metal Indoor NEMA 1                                 |
| 8001U   | 70003    | 480/120 Trans.          | SPDT            | Metal Indoor NEMA 1                                 |
| 8001U-N   | 70014    | 480/120 Trans.          | SPDT            | Noryl® Indoor/Outdoor NEMA 3R                       |
| 8001U-O   | 70011    | 480/120 Trans.          | SPDT            | Metal Indoor/Outdoor NEMA 3                         |
| <b>24 HOUR WITH 7 DAY OMIT</b>                      |          |                         |                 |   |
| 8007  | 70005    | 120                     | SPDT            | Metal Indoor NEMA 1                                 |
| 8007-O  | 70012    | 120                     | SPDT            | Metal Indoor/Outdoor NEMA 3                         |
| 8008  | 70006    | 208-277                 | SPDT            | Metal Indoor NEMA 1                                 |
| 8007U   | 70008    | 480/120 Trans.          | SPDT            | Metal Indoor NEMA 1                                 |
| 8007U-O   | 70028    | 480/120 Trans.          | SPDT            | Metal Indoor/Outdoor NEMA 3                         |
| <b>24 HOUR WITH 7 DAY OMIT &amp; RESERVE POWER</b>  |          |                         |                 |   |
| 8007L   | 70015    | 120                     | SPDT            | Metal Indoor NEMA 1                                 |
| 8008L   | 70016    | 208-277                 | SPDT            | Metal Indoor NEMA 1                                 |
| <b>24 HOUR WITH 14 DAY OMIT</b>                     |          |                         |                 |   |
| 8007V   | 70007    | 120                     | SPDT            | Metal Indoor NEMA 1                                 |
| <b>24 HOUR WITH 14 DAY OMIT &amp; RESERVE POWER</b> |          |                         |                 |   |
| 8007VL  | 70017    | 120                     | SPDT            | Metal Indoor NEMA 1                                 |

Replacement Motor #101(120V) & #201 (208-277V). For "L" models #36 (120V) & #46 (208-277V)

### CONTACT RATINGS

| TYPE      | VOLTAGE (VAC) | CONTACT RATING |
|-----------|---------------|----------------|
| Resistive | 120 or 240    | 20A            |
|           | 480           | 20A            |
| Motor     | 120           | 3/4 HP         |