

Copper Long Barrel Compression Splice - C Series

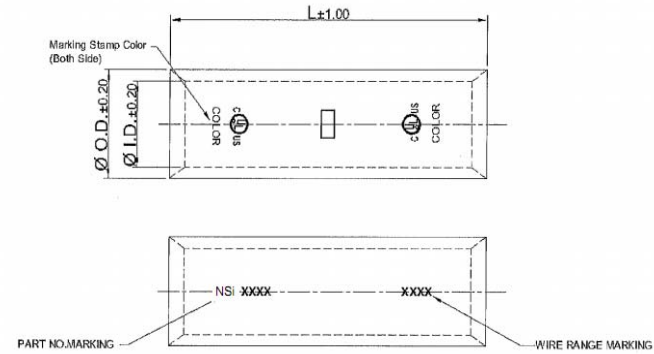
Produced from high conductivity copper tubing, tin plated for corrosion resistance. Color coded and marked with die index information, serrations indicate proper crimp locations.

Drawn - SD

Approved - KM

Material - Copper

Title - Copper Long Barrel Compression Splice - C Series



Part Number	Wire Range	Expanded Wire Range	Color Code	I.D. Inches	O.D. Inches	Length Inches
C-8	8 AWG	8 AWG	Red	0.17	0.27	1.75
C-6	6 AWG	6-8 AWG	Blue	0.20	0.30	1.75
C-4	4 AWG	4-6 AWG	Gray	0.25	0.34	1.75
C-3	3 AWG	3-6 AWG	White	0.28	0.38	2.38
C-2	2 AWG	2-6 AWG	Brown	0.31	0.42	1.90
C-1	1 AWG	1-6 AWG	Green	0.36	0.47	2.20
C-1/0	1/0 AWG	1/0-6 AWG	Pink	0.39	0.52	2.20
C-2/0	2/0 AWG	2/0-4 AWG	Black	0.44	0.56	2.25
C-3/0	3/0 AWG	3/0-2 AWG	Orange	0.49	0.62	2.25
C-4/0	4/0 AWG	4/0-1 AWG	Purple	0.55	0.69	2.75
C-250	250 MCM	250 MCM-1/0 AWG	Yellow	0.59	0.75	3.25
C-300	300 MCM	300 MCM-2/0 AWG	White	0.66	0.81	3.50
C-350	350 MCM	350 MCM-3/0 AWG	Red	0.70	0.87	3.75
C-400	400 MCM	400 MCM-4/0 AWG	Blue	0.76	0.95	3.75
C-500	500 MCM	500-250 MCM	Brown	0.83	1.06	4.25
C-600	600 MCM	600-250 MCM	Green	1.19	1.19	4.50
C-750	750 MCM	750-500 MCM	Black	1.03	1.31	4.75
C-1000	1000 MCM	1000-750 MCM	White	1.189	1.527	6.122