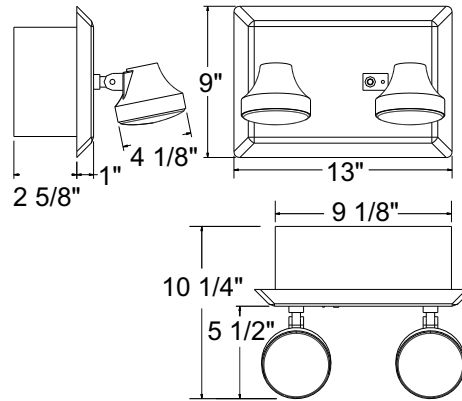


## EL2R



Product Shown  
EL2R-W



### REMOTE CAPABLE RECESSED EMERGENCY LIGHT

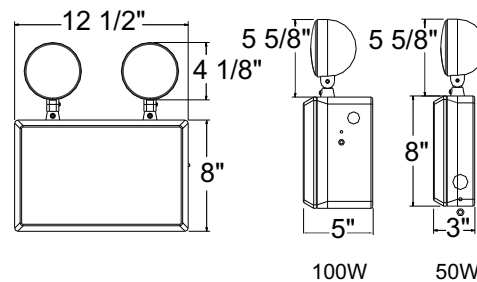
- Dual-Voltage Input 120/277VAC Operation
- Two fully adjustable 6V 5.4W T5 Wedge Base Lamp Heads
- 90 Minutes Minimum Emergency Operation
- Durable 20 Gauge Steel Plate
- Adjustable Bar Hanger up to 24" for Recessed Mount
- Chrome Plated Reflectors
- Push to Test Switch
- Maintenance free 6V, 4.5AH Sealed Lead-Acid Battery
- Fully automatic operation

Cat. No.	Housing Color	Options
EL2R	W (White) B (Black)	SDT (Self Diagnostic Test)



Exit & Emergency

## EL2T6/EL2T12



### HIGH OUTPUT, REMOTE CAPABLE EMERGENCY LIGHTS

- Dual-Voltage Input 120/277VAC Operation
- 90 Minutes Minimum Emergency Operation
- Injection Molded, 5VA Flame Retardant, High Impact, Thermoplastic Knockout on back of housing for wall mount
- Push to Test Switch
- Maintenance Free 6V Sealed Lead-Acid Battery
- Fully automatic operation

Cat. No.	Voltage	Output	Lamp Wattage
EL2T650	6V	50W	2 x 7.2W
EL2T6100	6V	100W	2 x 7.2W
EL2T1250	12V	50W	2 x 7.2W
EL2T12100	12V	100W	2 x 7.2W

