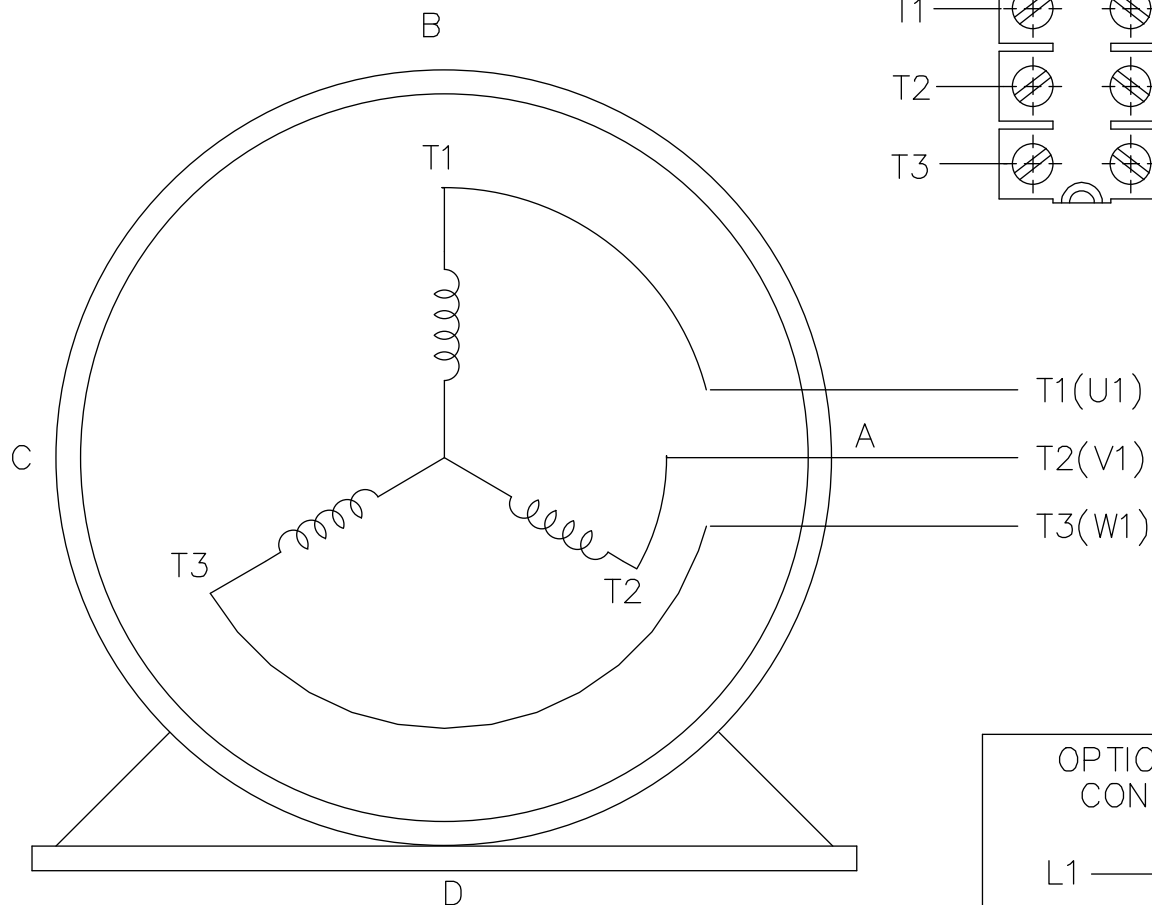
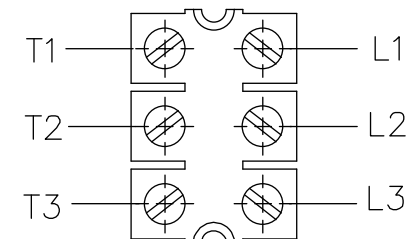


THREE PHASE – SINGLE VOLTAGE
MOTOR – CONDUIT BOX @ 'A'

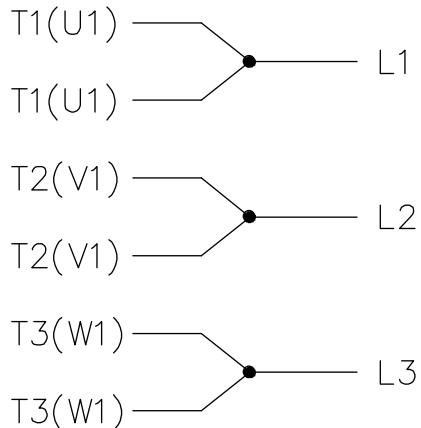
TERMINAL BLOCK WHEN SPECIFIED

TO REVERSE ROTATION:
INTERCHANGE ANY TWO LINE
LEAD CONNECTIONS



VIEW OF TERMINAL END

IF MOTOR HAS
6 LEADS



A-9806 DECAL

OPTIONAL CORD
CONNECTION

- L1 _____ WHITE
- L2 _____ RED
- L3 _____ BLACK

NO.	REVISION	BY & DATE	CHK	ANG	TOLERANCES UNLESS SPECIFIED		MARATHON ELECTRIC	DRAWN DA 03-26-1993			
					DEC.	INCHES					
16	ADDED TERMINAL BLOCK	UD 10-23-2013	BV	.X	±.1			CHK ML 03-26-1993			
15	ADDED IEC REFERENCE CODES MU60881	TAT 09-22-2004	ML	.XX	±.02		TITLE CONNECTION DIAGRAM SINGLE VOLT – 3φ MOTOR	APPD TB 03-26-1993			
14	ADDED CORD VIEW CN 29200-3103	TJB 07-28-2003	ML	.XXX	±.005			SCALE 1=1			
13	REDRAWN – NO CHANGE	DA 03-26-1993		.XXXX	±.0005		MAT'L.	REF			
					±7'30"		FINISH	FMF			
							CAD FILE ee7300	PREV			
THIS DRAWING IN DESIGN AND DETAIL IS OUR PROPERTY AND MUST NOT BE USED EXCEPT IN CONNECTION WITH OUR WORK ALL RIGHTS OF DESIGN AND INVENTION ARE RESERVED THIS IS AN ELECTRONICALLY GENERATED DOCUMENT – DO NOT SCALE THIS PRINT							RFP	SIZE A	DRAWING NO. EE7300	PAGE OF	REV. 16
							DIST				