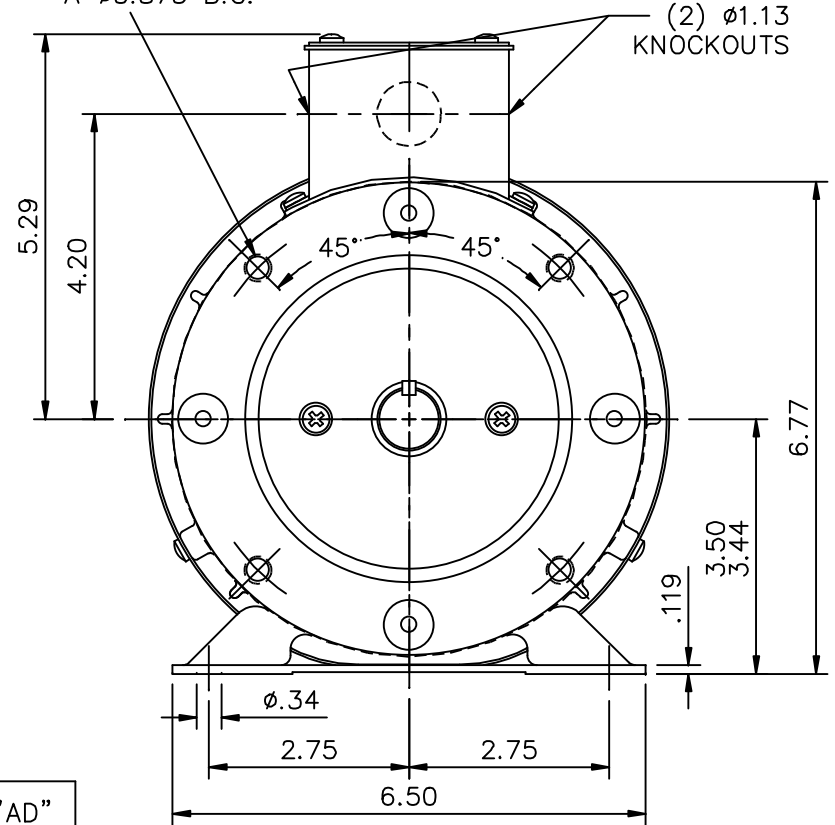


(4) 3/8-16 UNC-2B
X .56 DEEP ON
A φ5.875 B.C.



DASH NO.	"C"	"AD"
650	12.75	4.25
700	13.25	4.75
750	13.75	5.25
800	14.25	5.75

GASKETS THROUGHOUT
MAXIMUM FACE RUNOUT .004 T.I.R.
MAXIMUM PILOT ECCENTRICITY .004 T.I.R.
PERMISSIBLE SHAFT RUNOUT .002 T.I.R.

			TOLERANCES UNLESS SPECIFIED		DRAWN LST 7/1/04
			DEC.	INCHES	
			.X	±.1	APPD KH 7/1/04
			.XX	±.03	SCALE 3=8
02	ADDED CE DECAL; ECR 89629	KLS 4/13/06	.XXX	±.005	REF
01	REMOVED WATSAVER DECAL	RLW 7/21/04	.XXXX	±.0005	FMF
NO.	REVISION	BY & DATE	CHK	ANG ±1/2'	PREV
THIS DRAWING IN DESIGN AND DETAIL IS OUR PROPERTY AND MUST NOT BE USED EXCEPT IN CONNECTION WITH OUR WORK ALL RIGHTS OF DESIGN AND INVENTION ARE RESERVED THIS IS AN ELECTRONICALLY GENERATED DOCUMENT - DO NOT SCALE THIS PRINT			RFP	CAD FILE	028605
			DIST	SIZE	DRAWING NO.
				A	028605
					REV. 02



TITLE OUTLINE- 143/145TC FRAME
TEFC- RIGID "C"
MAT'L. GENERAL PURPOSE
FINISH