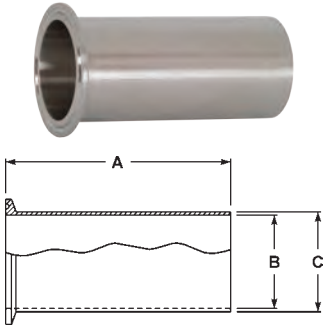


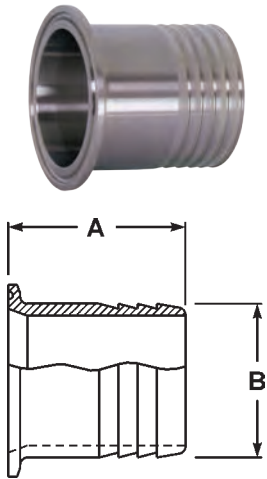
Clamp Adapters

Tygon® Hose Adapters - 14MPHT



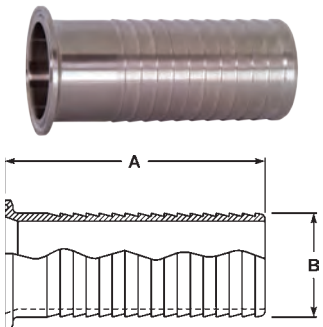
Tube OD	Dimensions			316L Stainless Steel	
	A	B	C	Part #	Price/E
¾"	4.000"	.620"	.750"	14MPHT-R75	\$188.35
1"	4.500"	.870"	1.000"	14MPHT-R100	64.20
1½"	4.500"	1.370"	1.500"	14MPHT-R150	64.20
2"	4.500"	1.870"	2.000"	14MPHT-R200	70.60
2½"	4.500"	2.370"	2.500"	14MPHT-R250	94.10
3"	4.500"	2.870"	3.000"	14MPHT-R300	117.40
4"	4.625"	3.834"	4.000"	14MPHT-R400	188.30

Rubber Hose Adapters - 14MPHR



Tube OD	Hose Size	Dimensions		304 Stainless Steel		316L Stainless Steel	
		A	B	Part #	Price/E	Part #	Price/E
½"	¼"	1.500"	.250"	---	---	14MPHR-R5025	121.95
½"	½"	1.500"	.500"	---	---	14MPHR-R50	89.90
½"	¾"	1.500"	.750"	---	---	14MPHR-R5075	121.95
¾"	¼"	1.500"	.250"	---	---	14MPHR-R7525	100.55
¾"	⅜"	1.500"	.375"	---	---	14MPHR-R75375	100.55
¾"	½"	1.500"	.500"	---	---	14MPHR-R7550	100.55
¾"	¾"	1.500"	.750"	---	---	14MPHR-R75	94.00
1"	⅜"	1.500"	.375"	---	---	14MPHR-R100375	182.65
1"	½"	1.500"	.500"	14MPHR-G10050	\$154.25	14MPHR-R10050	186.40
1"	¾"	1.688"	.750"	14MPHR-G10075	158.45	14MPHR-R10075	232.05
1"	1"	1.688"	1.000"	14MPHR-G100	38.05	14MPHR-R100	153.30
1½"	½"	1.500"	.500"	14MPHR-G15050	109.40	14MPHR-R15050	192.05
1½"	⅝"	1.500"	.625"	---	---	14MPHR-R150625	204.10
1½"	¾"	1.500"	.750"	14MPHR-G15075	109.40	14MPHR-R15075	192.05
1½"	1"	1.687"	1.000"	14MPHR-G150100	102.85	14MPHR-R150100	161.70
1½"	1½"	1.689"	1.500"	14MPHR-G150	44.75	14MPHR-R150	129.60
2"	1½"	2.312"	1.500"	14MPHR-G200150	199.55	14MPHR-R200150	274.65
2"	2"	2.312"	2.000"	14MPHR-G200	60.15	14MPHR-R200	148.85
2½"	2½"	2.344"	2.500"	14MPHR-G250	88.15	14MPHR-R250	251.55
3"	3"	3.094"	3.000"	14MPHR-G300	104.30	14MPHR-R300	299.45
4"	4"	3.406"	4.000"	14MPHR-G400	148.95	14MPHR-R400	623.40
6"	6"	3.406"	6.000"	14MPHR-G600	1204.90	14MPHR-R600	1807.00

Brewery Hose Barb Adapters - 14MPHRL



Feature:

- suitable for use with band clamps

Tube OD	Dimensions		304 Stainless Steel	
	A	B	Part #	Price/E
1"	3.500"	1.045"	14MPHRL100	\$56.60
1½"	5.000"	1.545"	14MPHRL150	64.20
2"	5.000"	2.045"	14MPHRL200	82.15
2½"	5.500"	2.545"	14MPHRL250	100.30
3"	5.500"	3.045"	14MPHRL300	132.05
4"	5.500"	4.045"	14MPHRL400	183.40



Use of PVC tubing requires special installation techniques to prevent leakage. All assembly work must be done with heated tube. Cold durometer is 90 as opposed to rubber hose at 65 to 70 durometer. Banding buckles must be at 180° from one another.