



Die cast round covers with one or three 1/2" holes. Fit 4" round boxes. Supplied with thick foam rubber gasket and two #10-24 stainless steel screws. 3 hole cover comes with one die cast 1/2" close-up plug.

Color: Silver gray

Weight: 0.2 lbs

<b>Project:</b>	<b>Type:</b>
<b>Prepared By:</b>	<b>Date:</b>

**Technical Specifications**

**Compliance**

**UL Listed:**

Suitable for wet locations

**Construction**

**Covers:**

Precision die cast aluminum round covers

**Screws:**

10-24 Brass Round Head Phillips/slotted

**Gaskets:**

1/8" thick closed cell silicone rubber for long lasting seal won't crumple or break

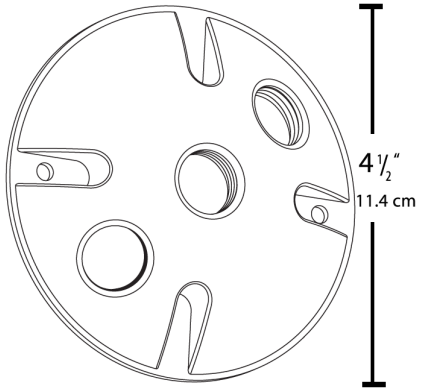
**Hole Count:**

3 Hole

**Other**

**Replacement Plugs:**

Available for round and rectangular covers and boxes

**Dimensions****Features**

1/8" thick weather seal gasket is closed cell silicone rubber for long lasting seal that won't break

Stainless steel screws provided

Die cast aluminum covers are color matched

Close-up plugs allow Phillips or slotted screwdrivers for easy installation