



Corrosion-proof round four hole cover. Tough polycarbonate with molded-in color. Fourth hole is perfect for motion sensor mounting. Fits 4" round boxes. Supplied with thick foam rubber gasket. One molded 1/2" close-up plug and (2) stainless steel screws.

Color: Black

Weight: 0.1 lbs

Project:

Type:

Prepared By:

Date:

## Technical Specifications

### Compliance

#### UL Listed:

Suitable for wet locations

### Construction

#### Covers:

Tough polycarbonate with molded-in color

#### Screws:

10-24 Brass Round Head Phillips/slotted

#### Gaskets:

1/8" thick closed cell silicone rubber for long lasting seal won't crumple or break

#### Hole Count:

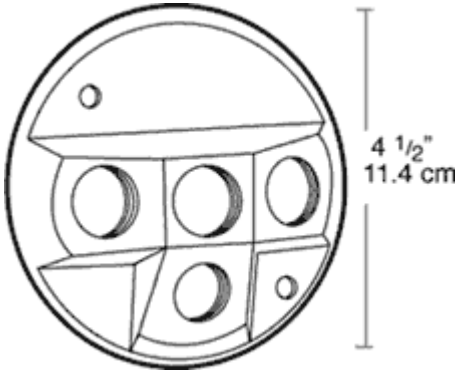
Round 4 Hole

### Other

#### Replacement Plugs:

Available for round and rectangular covers and boxes

## Dimensions



## Features

- 1/8" thick weather seal gasket is closed cell silicone rubber for long lasting seal that won't break
- Strong, corrosion-proof polycarbonate
- Stainless steel screws provided
- Die cast aluminum covers are color matched
- Close-up plugs allow Phillips or slotted screwdrivers for easy installation