



Die cast sensor & floodlight mounting plate fits round, rectangular, octagonal, recessed & surface mount boxes. Lower hole offers better sensor mounting position. 3 close-up plugs, thick, weatherproof gaskets, universal mounting bar and Hanging Helper Hook provided.

Color: Gray

Weight: 0.6 lbs

Project:	Type:
Prepared By:	Date:

Technical Specifications

Compliance

UL Listed:

Suitable for wet locations

Trade Agreements Act Compliant:

This product is a product of Cambodia and a "designated country" end product that complies with the Trade Agreements Act

Construction

Covers:

Precision die cast aluminum or molded polycarbonate plastic with 1/2" threaded holes

Screws:

10-24 Brass Round Head Phillips/slotted

Gaskets:

1/8" thick closed cell silicone rubber for long lasting seal won't crumple or break

Hole Count:

4 Hole

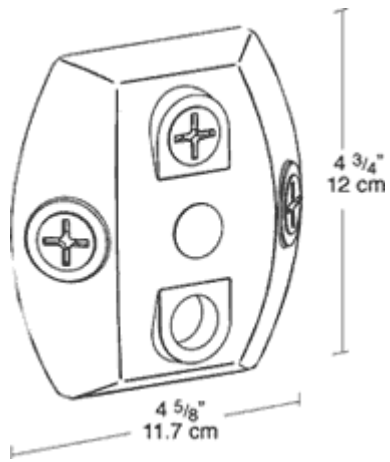
Other

Replacement Plugs:

Available for round and rectangular covers and boxes

Patents:

Pat. D520,465.

Dimensions**Features**

- 1/8" thick weather seal gasket is closed cell foam rubber for long lasting seal that won't break
- Stainless steel screws provided
- Die cast aluminum covers are color matched
- Close-up plugs allow Phillips or slotted screwdrivers for easy installation