



Explosionproof junction box for wiring with cover tap it allows pendant fixture hanging.

Color: Silver gray

Weight: 2.9 lbs

Project:	Type:
Prepared By:	Date:

Technical Specifications

Construction

Box Construction:

Heavy wall castings. Precision machined surfaces.
Four 1/4-20 screws fasten top to box.

Box Capacity:

20 cubic inches

Finish:

Polyester powder coating

Hub Size:

3/4" side hubs, 8 hole position

Cover Tap:

1/2"

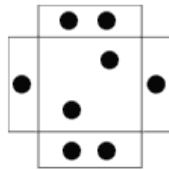
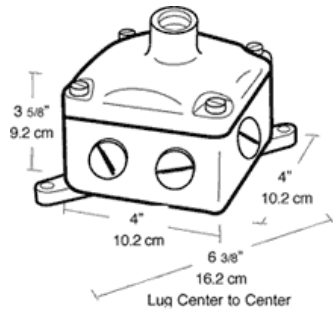
Electrical

Close-up Plugs:

Aluminum slotted plugs with 6 full threads. One provided for each box hole.



Dimensions



Features

- Accessory reflectors and exit signs available
- Cast aluminum junction box also serves as a hanger box for pendant fixtures
- Heavy gauge die formed aluminum
- Reflectors with white polyester powder finish