



Project:	Type:
Prepared By:	Date:

Driver Info		LED Info	
Type	Constant Current	Watts	52W
120V	0.45A	Color Temp	5100K (Cool)
208V	0.29A	Color Accuracy	71 CRI
240V	0.25A	L70 Lifespan	100,000 Hours
277V	0.20A	Lumens	5,911 lm
Input Watts	53.6W	Efficacy	110.3 lm/W

Technical Specifications

Compliance

UL Listed:

Suitable for Wet Locations. Covered Ceiling Mount Only.

IESNA LM-79 & LM-80 Testing:

RAB LED luminaires and LED components have been tested by an independent laboratory in accordance with IESNA LM-79 and LM-80.

Trade Agreements Act Compliant:

This product is a product of Cambodia and a "designated country" end product that complies with the Trade Agreements Act

DLC Listed:

This product is on the Design Lights Consortium (DLC) Qualified Products List and is eligible for rebates from DLC Member Utilities. Designed to meet DLC 5.1 requirements. DLC Product Code: P78RRGT2

Performance

Lifespan:

100,000-Hour LED lifespan based on IES LM-80 results and TM-21 calculations

Wattage Equivalency:

Equivalent to 175W Metal Halide

Electrical

Driver:

Driver: Constant Current, Class 2, 120V-277V, 50/60 Hz, 6kv Surge Protection, 120V: 0.45A, 208V: 0.29A, 240V: 0.25A, 277V: 0.20A

Dimming Driver:

Driver includes dimming control wiring for 0-10V dimming systems. Requires separate 0-10V DC dimming circuit. Dims down to 10%.

THD:

3.2% at 120V, 6.08% at 277V

Power Factor:

99.9% at 120V, 96.5% at 277V

LED Characteristics

LEDs:

4x13W high-output, long-life LEDs

Color Consistency:

7-step MacAdam Ellipse binning to achieve consistent fixture-to-fixture color

Color Stability:

LED color temperature is warrantied to shift no more than 200K in color temperature over a 5-year period

Color Uniformity:

RAB's range of Correlated Color Temperature follows the guidelines of the American National Standard for Specifications for the Chromaticity of Solid State Lighting (SSL) Products, ANSI C78.377-2017.

Construction

Cold Weather Starting:

The minimum starting temperature is -40°C (-40°F)

Maximum Ambient Temperature:

Suitable for use in up to 40°C (104°F)

Housing:

Precision die-cast aluminum housing and door frame

Lens:

Prismatic polycarbonate lens

Reflector:

Specular vacuum-metallized polycarbonate with ultra-white, 97% reflective optics

Gaskets:

High-temperature silicone

Finish:

Formulated for high durability and long-lasting color

Technical Specifications (continued)

Green Technology:

Mercury and UV free. RoHS-compliant components.

Installation

Mounting:

Easy hanging plate with hooks for ceiling mount

Other

Patents:

The design of GLED52 is protected by patents pending in US, Canada, China, Taiwan and Mexico

Warranty:

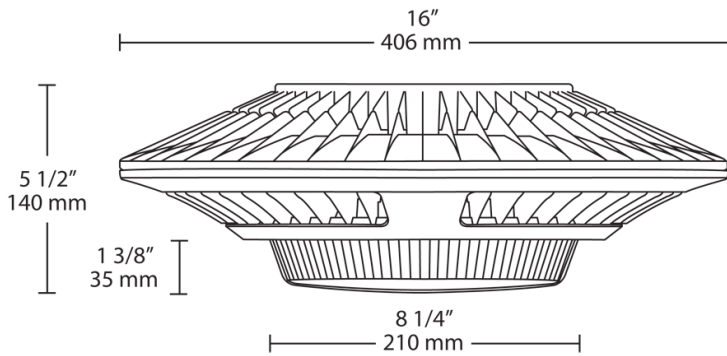
RAB warrants that our LED products will be free from defects in materials and workmanship for a period of five (5) years from the date of delivery to the end user, including coverage of light output, color stability, driver performance and fixture finish. RAB's warranty is subject to all terms and conditions found at rablighting.com/warranty.

Optical

BUG Rating:

B3 U3 G2

Dimensions



Features

Low-profile design Ideal for Parking Garages

52W Replaces 175W MH Luminaires

100,000-hour LED lifespan based on IES LM-80 results and TM-21 calculations

Up to 25% Reduction in Fixture Count

Lock screw provided for pendant mount

Ordering Matrix

Family	Wattage	Color Temp	Back Box	Finish	Driver	
GLED	52			W		
52 = 52W	78 = 78W	26 = 26W	Blank = 5000K Cool N = 4000K Neutral Y = 3000K Warm	Blank = No Backbox BB = Back Box	Blank = Bronze W = White	Blank = No Option /D10 = 0-10V Dimming /480 = 480V /480/D10 = 480V w/0-10V Dimming /BL = Bi-Level