



LED Gooseneck Head available in 13W or 26W.

Color: Black

Weight: 5.9 lbs

Project:

Type:

Prepared By:

Date:

### Driver Info

|             |                  |
|-------------|------------------|
| Type        | Constant Current |
| 120V        | 0.3A             |
| 208V        | 0.3A             |
| 240V        | 0.3A             |
| 277V        | 0.15A            |
| Input Watts | 15.2W            |

### LED Info

|                |                 |
|----------------|-----------------|
| Watts          | 13W             |
| Color Temp     | 4000K (Neutral) |
| Color Accuracy | 86 CRI          |
| L70 Lifespan   | 100,000 Hours   |
| Lumens         | 664 lm          |
| Efficacy       | 43.7 lm/W       |

## Technical Specifications

### Compliance

#### UL Listed:

Suitable for wet locations. Suitable for mounting within 4ft (1.2m) of the ground.

#### IESNA LM-79 & LM-80 Testing:

RAB LED luminaires and LED components have been tested by an independent laboratory in accordance with IESNA LM-79 and LM-80.

#### Trade Agreements Act Compliant:

This product is a product of Cambodia and a "designated country" end product that complies with the Trade Agreements Act

### Construction

#### Component Only:

This is a component for ordering LED Goosenecks. Not a complete fixture without Shade and Arm.

#### Housing:

Precision die-cast aluminum housing, lens frame and mounting plate

#### Gaskets:

High-temperature Silicone

#### Finish:

Formulated for high durability and long-lasting color

#### Green Technology:

Mercury and UV free. RoHS-compliant components.

#### Ambient Temperature:

Suitable for use in up to 40°C (104°F)

### Performance

#### Lifespan:

100,000-Hour LED lifespan based on IES LM-80 results and TM-21 calculations

#### Wattage Equivalency:

Equivalent to 75W Incandescent, 50W Metal Halide or 18W CFL

### LED Characteristics

#### LED:

Single multi-chip, 13W high-output, long-life LED Driver Constant Current

#### Color Consistency:

3-step MacAdam Ellipse binning to achieve consistent fixture-to-fixture color

#### Color Stability:

LED color temperature is warrantied to shift no more than 200K in color temperature over a 5-year period

#### Color Uniformity:

RAB's range of Correlated Color Temperature follows the guidelines of the American National Standard for Specifications for the Chromaticity of Solid State Lighting (SSL) Products, ANSI C78.377-2017.

### Installation

#### Mounting:

Heavy-duty mounting arm with "O" ring seal and stainless steel screw

### Electrical

#### THD:

4.7% at 120V, 13.8% at 277V

#### Surge Protection:

4kV

### Other

#### Patents:

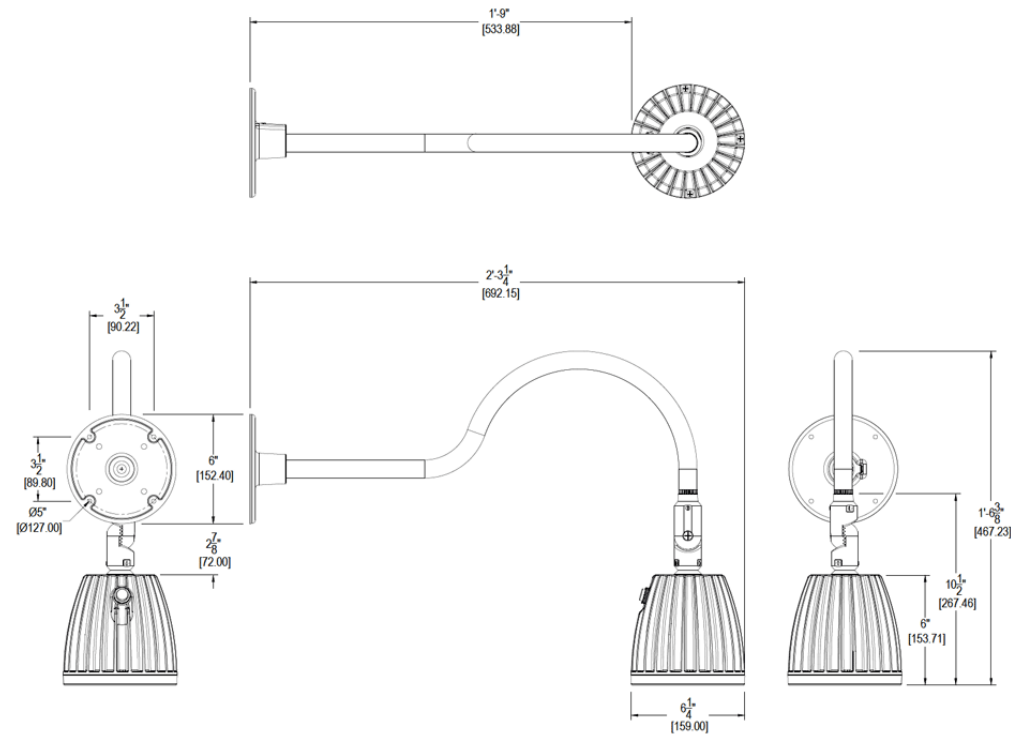
The design of the Gooseneck is protected by patents pending in US, Canada, China and Taiwan

## Technical Specifications (continued)

### Warranty:

RAB warrants that our LED products will be free from defects in materials and workmanship for a period of five (5) years from the date of delivery to the end user, including coverage of light output, color stability, driver performance and fixture finish. RAB's warranty is subject to all terms and conditions found at [rablighting.com/warranty](http://rablighting.com/warranty).

## Dimensions



## Ordering Matrix

| Family | Wattage              | Color Temp                          | Reflector                                    | Finish   |
|--------|----------------------|-------------------------------------|--|--|
| GNLED  | 13                   | N                                   |  | B  |
|        | 26 = 26W<br>13 = 13W | Y = 3000K Warm<br>N = 4000K Neutral | Blank = Flood<br>R = Rectangular<br>S = Spot | R = Red<br>I = Ivory<br>BWN = Brown<br>BL = Royal Blue<br>LB = Light Blue<br>YL = Yellow<br>G = Hunter Green<br>S = Silver<br>A = Bronze<br>W = White<br>B = Black |