



LED Gooseneck Head available in 13W or 26W.

Color: White

Weight: 5.9 lbs

Project:	Type:
Prepared By:	Date:

Driver Info		LED Info	
Type	Constant Current	Watts	13W
120V	0.3A	Color Temp	4000K (Neutral)
208V	0.3A	Color Accuracy	86 CRI
240V	0.3A	L70 Lifespan	100,000 Hours
277V	0.15A	Lumens	704 lm
Input Watts	15.4W	Efficacy	45.7 lm/W

Technical Specifications

Compliance

UL Listed:

Suitable for wet locations. Suitable for mounting within 4ft (1.2m) of the ground.

IESNA LM-79 & LM-80 Testing:

RAB LED luminaires and LED components have been tested by an independent laboratory in accordance with IESNA LM-79 and LM-80.

Trade Agreements Act Compliant:

This product is a product of Cambodia and a "designated country" end product that complies with the Trade Agreements Act

Construction

Component Only:

This is a component for ordering LED Goosenecks. Not a complete fixture without Shade and Arm.

Housing:

Precision die-cast aluminum housing, lens frame and mounting plate

Gaskets:

High-temperature Silicone

Finish:

Formulated for high durability and long-lasting color

Green Technology:

Mercury and UV free. RoHS-compliant components.

Ambient Temperature:

Suitable for use in up to 40°C (104°F)

Performance

Lifespan:

100,000-Hour LED lifespan based on IES LM-80 results and TM-21 calculations

Wattage Equivalency:

Equivalent to 75W Incandescent, 50W Metal Halide or 18W CFL

LED Characteristics

LED:

Single multi-chip, 13W high-output, long-life LED Driver Constant Current

Color Consistency:

3-step MacAdam Ellipse binning to achieve consistent fixture-to-fixture color

Color Stability:

LED color temperature is warrantied to shift no more than 200K in color temperature over a 5-year period

Color Uniformity:

RAB's range of Correlated Color Temperature follows the guidelines of the American National Standard for Specifications for the Chromaticity of Solid State Lighting (SSL) Products, ANSI C78.377-2017.

Installation

Mounting:

Heavy-duty mounting arm with "O" ring seal and stainless steel screw

Electrical

THD:

4.7% at 120V, 13.8% at 277V

Surge Protection:

4kV

Other

Patents:

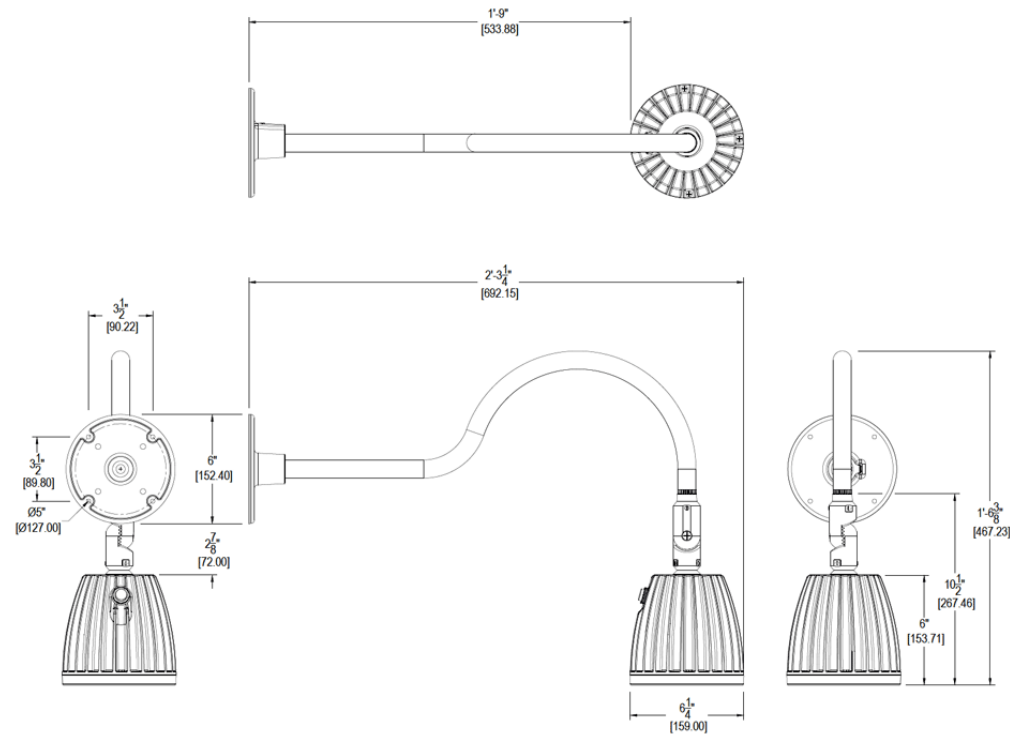
The design of the Gooseneck is protected by patents pending in US, Canada, China and Taiwan

Technical Specifications (continued)

Warranty:

RAB warrants that our LED products will be free from defects in materials and workmanship for a period of five (5) years from the date of delivery to the end user, including coverage of light output, color stability, driver performance and fixture finish. RAB's warranty is subject to all terms and conditions found at rablighting.com/warranty.

Dimensions



Ordering Matrix

Family	Wattage	Color Temp	Reflector	Finish
GNLED	13	N		W
	26 = 26W 13 = 13W	Y = 3000K Warm N = 4000K Neutral	Blank = Flood R = Rectangular S = Spot	R = Red I = Ivory BWN = Brown BL = Royal Blue LB = Light Blue YL = Yellow G = Hunter Green S = Silver A = Bronze W = White B = Black