

<b>Project:</b>	<b>Type:</b>
<b>Prepared By:</b>	<b>Date:</b>

## Technical Specifications

### Other

#### Threads:

1/2" NPS at the fixture Side

### Construction

#### Diameter:

Diameter of the tube is 1"

#### Component Only:

This is a component for ordering LED Goosenecks.  
Not a complete fixture without Shade and Head.

#### Construction:

Die cast aluminum

#### Finish:

Formulated for high durability and long-lasting color

### Installation

#### Mounting:

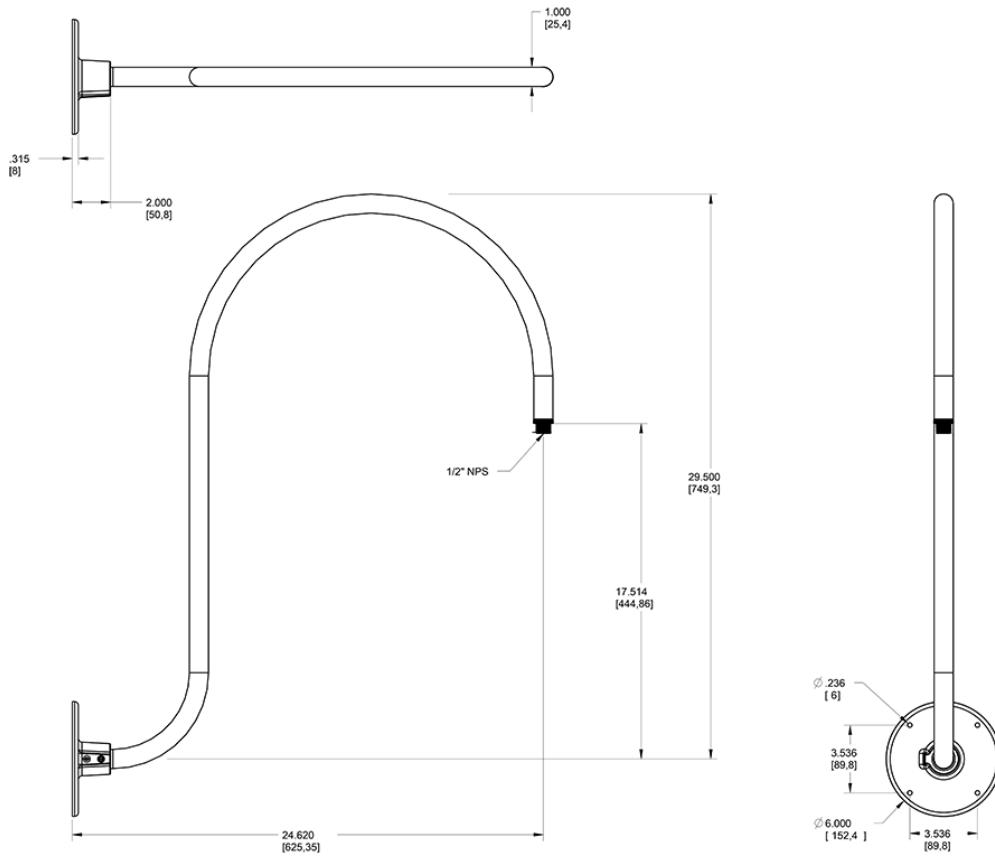
The wall plate does not mount to a junction box but directly to the mounting surface with the proper hardware for the surface

### Compliance

#### Trade Agreements Act Compliant:

This product is a product of Cambodia and a "designated country" end product that complies with the Trade Agreements Act

Dimensions



Ordering Matrix

Family	Style	Finish
GOOSE	3	W

- 1 = Arm Style 1
- 2 = Arm Style 2
- 3 = Arm Style 3
- 4 = Arm Style 4
- 5 = Arm Style 5
- B = Black
- W = White
- A = Bronze
- S = Silver
- G = Hunter Green
- YL = Yellow
- LB = Light Blue
- BL = Royal Blue
- BWN = Brown
- I = Ivory
- R = Red