



| | |
|---------------------|--------------|
| Project: | Type: |
| Prepared By: | Date: |

Technical Specifications

Other

Threads:

1/2" NPS at the fixture Side

Construction

Diameter:

Diameter of the tube is 1"

Component Only:

This is a component for ordering LED Goosenecks.
Not a complete fixture without Shade and Head.

Construction:

Die cast aluminum

Finish:

Formulated for high durability and long-lasting color

Installation

Mounting:

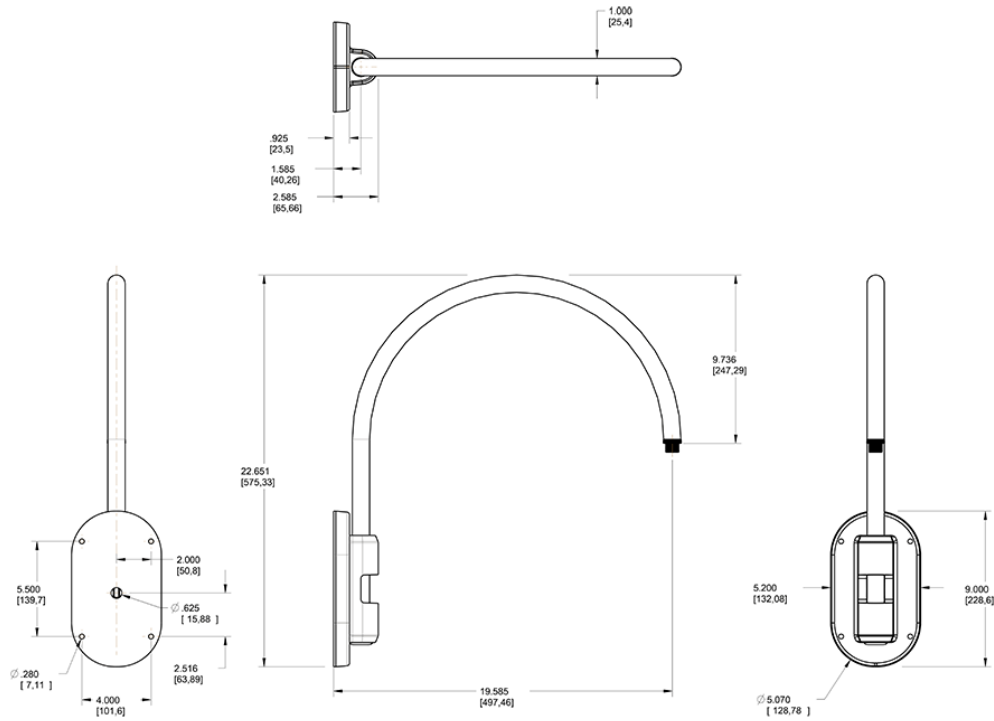
The wall plate does not mount to a junction box but directly to the mounting surface with the proper hardware for the surface

Compliance

Trade Agreements Act Compliant:

This product is a product of Cambodia and a "designated country" end product that complies with the Trade Agreements Act

Dimensions



Ordering Matrix

| Family | Style | Finish |
|--------|-------|--------|
| GOOSE | 4 | W |

- 1 = Arm Style 1
- 2 = Arm Style 2
- 3 = Arm Style 3
- 4 = Arm Style 4
- 5 = Arm Style 5
- B = Black
- W = White
- A = Bronze
- S = Silver
- G = Hunter Green
- YL = Yellow
- LB = Light Blue
- BL = Royal Blue
- BWN = Brown
- I = Ivory
- R = Red