



Large size flood for easier relamping and glare reduction. Durable one piece die casting with rugged mounting arm, weatherproof gasket and drain holes. Accepts 150 Watt PAR 38 max. Lamp not supplied.

Color: Bronze

Weight: 1.3 lbs

Project:

Type:

Prepared By:

Date:

### Lamp Info

Type	PAR38
Watts	150W
Shape/Size	N/A
Base	N/A
ANSI	N/A
Hours	N/A
Lamp Lumens	N/A
Efficacy	N/A

### Ballast Info

Type	N/A
120V	N/A
208V	N/A
240V	N/A
277V	N/A
Input Watts	N/A

## Technical Specifications

### Compliance

#### UL Listed:

Suitable for wet locations. Suitable for mounting within 4ft (1.2m) of the ground. When using as an upright in outdoor applications, a Hood or a Visor must be used.

#### Trade Agreements Act Compliant:

This product is a product of Cambodia and a "designated country" end product that complies with the Trade Agreements Act

### Electrical

#### Sockets:

Porcelain with all copper current carrying components

### Construction

#### Swivels:

Fully adjustable with sure-grip locks. 1/2" NPS threaded arm with serrated locking swivel fits all standard mounting covers. Color matched EZ Grip lock nuts.

#### Housings:

Die-cast aluminum with powder coat finish

#### Gaskets:

High-temperature silicone rubber extends around both socket and lamp

### Optical

#### Lamps:

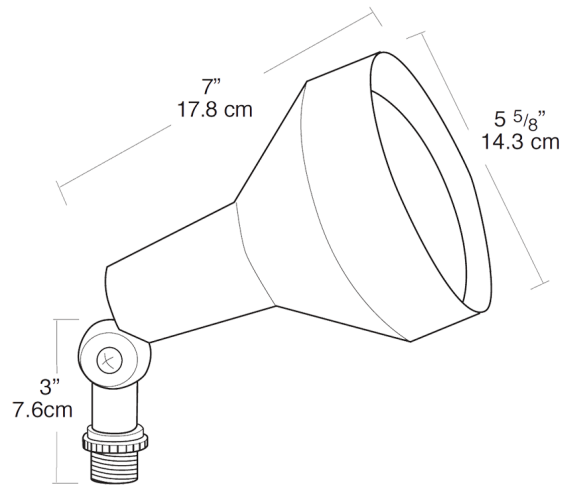
Medium base Par-38 lamps up to 150W. Halogen lamps give brighter light and choice of beam spreads.

### Other

#### Note:

H101 is not compatible with MP17 or MP19

## Dimensions



## Features

Lamp recessed 1" from lip for side glare reduction

Set screw for hood, grill or visor attachment

Large Silicone rubber gasket provides weatherproof protection around the lamp and socket

Caution: When using as an upright in outdoor applications a Hood or a Visor must be used

HV1 Visor with integral guard and glass lens for maximum glare reduction and lamp protection

HG1 Guard: Protects lamp from damage and vandalism

HH1 Hood with glass lens reduces glare and protects lamp from water and impact damage