



PAR16 floodlight with die cast aluminum housing, integral glare shield and tempered lens. Sleek good looks with minimal size. Supplied with 6" leads and ground wire. Medium base PAR16 lamp, 60 Watt max. Lamp not supplied.

Color: Black

Weight: 0.8 lbs

<b>Project:</b>	<b>Type:</b>
<b>Prepared By:</b>	<b>Date:</b>

Lamp Info		Ballast Info	
Type	PAR16	Type	N/A
Watts	60W	120V	N/A
Shape/Size	N/A	208V	N/A
Base	N/A	240V	N/A
ANSI	N/A	277V	N/A
Hours	2,000	Input Watts	N/A
Lamp Lumens	650 lm		
Efficacy	N/A		

**Technical Specifications**

**Compliance**

**UL Listed:**

Suitable for wet locations. Suitable for mounting within 4ft (1.2m) of the ground.

**Trade Agreements Act Compliant:**

This product is a product of Cambodia and a "designated country" end product that complies with the Trade Agreements Act

**Construction**

**Swivels:**

1/2" NPS threaded arm with serrated locking swivel fits all standard mounting boxes. EZ Grip locknuts color matched to fixture.

**Housings:**

Precision die-cast aluminum

**Other**

**Compatibility:**

Fixture is compatible with GE and Sylvania Par16 lamps. Not compatible with Philips Par16 lamp.

**Electrical**

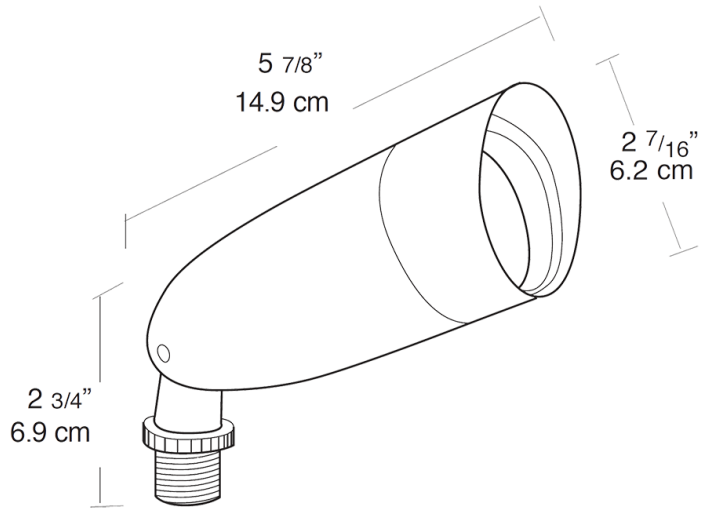
**Voltage:**

120V

**Sockets:**

Medium base porcelain with all copper current carrying components and spring loaded center contact

## Dimensions



## Features

- Rugged die cast aluminum housing with polyester powder coat finish
- Deep Glare Shield
- weatherproof lens and gasket
- "O" Ring seal for full weather protection
- No-rust brass & stainless steel external hardware
- Rugged mounting arm has 1/2" threads and pivots 180
- EZ Grip locknuts are color matched to fixture and can be tightened with fingers, pliers or screwdriver