



Project:

Type:

Prepared By:

Date:

Die cast aluminum wiring box with weatherproof gasket, ground screw, and two sturdy lugs for wall or ceiling mounting. Die cast aluminum cover with three 1/2" holes supplied with 2 stainless steel screws and one close-up plug.

Color: Natural

Weight: 0.6 lbs

Technical Specifications

Compliance

UL Listed:

Suitable for wet locations

Construction

Box Material:

Precision die cast aluminum

Gaskets:

1/8" thick closed cell EPDM Foam for long lasting seal that won't crumple or break

Screws:

10-24 Stainless steel Round Head Phillips/slotted

Ground Screw:

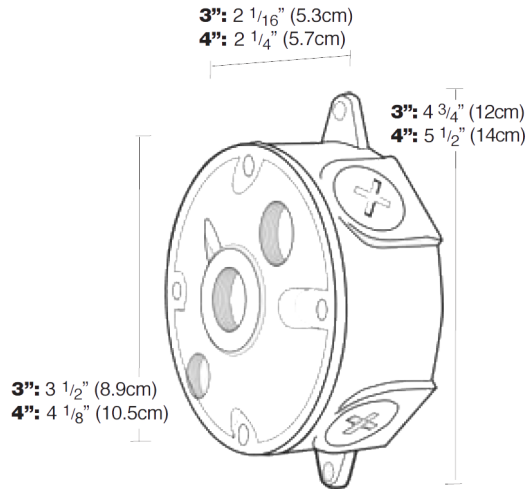
10-24 Green corrosion protected steel slotted washer head screw provided in pre-tapped hole

Box Diameter:

3"

Side Hole Thread Size:

4 holes with 3/4" thread size

Dimensions**Features**

- Stainless steel screws
- Green hex slotted washer head ground screw in pre-tapped hole
- Heavy die cast aluminum
- Close-up plugs allow Phillips or slotted screwdrivers for easy installation
- 1/8" thick weather seal gasket is closed cell foam rubber for long lasting seal that won't crumble or break