



Project:	Type:
Prepared By:	Date:

PVC caps for replacement or making Do-It-Yourself Mighty Posts. MCAP2 fits standard 2" pipe (2 3/8" outer diameter), MCAP3 fits standard 2.5" pipe (2 7/8" outer diameter). Fixtures with ground wire must be used. Cut the pipe yourself and save!

Color: Verde green

Weight: 0.2 lbs

Technical Specifications

Compliance

UL Listed:

Suitable for wet locations. Fixtures with ground wire must be used.

Trade Agreements Act Compliant:

This product is a product of Cambodia and a "designated country" end product that complies with the Trade Agreements Act

Construction

Post Materials:

UL Schedule 40 PVC pipe

Set Screw:

Locks cap to post and prevents rotation

Fits Pipe:

2"

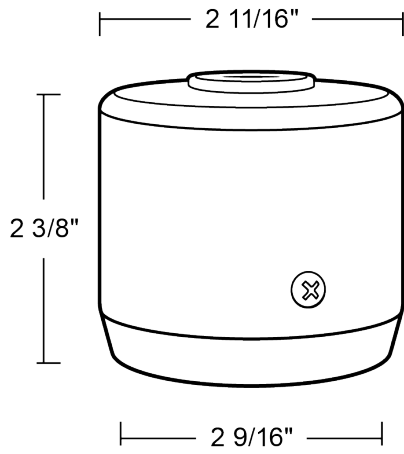
Pipe O.D.:

2 3/8

Material:

PVC

Dimensions



Features

Set screw locks cap to post

1/2" threaded hole fits standard floodlights & lawn lights

Internal seal provides weatherproof fit

Thick wall PVC post with molded-in color

Can be used with Post Adapter an option that lets you add outlets and sensors