



Project:

Type:

Prepared By:

Date:

Fits covers and boxes to provide weatherproof seal. Precision die cast with clean threads. Plugs accept both Phillips and slotted screwdrivers for easy installation. Choose the diameter and color to fit your application.

Color: Natural

Weight: 0.0 lbs

### Technical Specifications

#### Compliance

**UL Listed:**

Suitable for wet locations

#### Construction

**Material:**

Precision die cast or stamped aluminum. Spring loaded covers. .

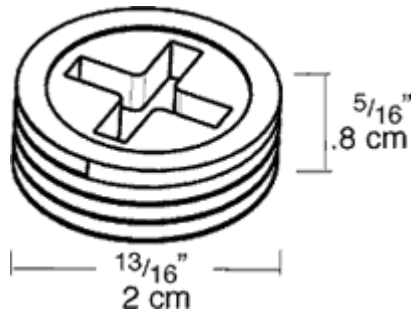
**Screws:**

6-32 Nickel Plated Brass

**Diameter:**

1/2"

## Dimensions



## Features

- Sturdy, clear cover for easy visibility
- Thick weather seal gaskets
- Mounting hardware supplied
- Close-up plugs allow Phillips or slotted screwdrivers for easy installation
- RAB's distinctive see-thru weatherproof packaging has all the information you need
- Clear PVC plastic turtle cover with lockable latch
- Smooth edged electrical cord slots