



<b>Project:</b>	<b>Type:</b>
<b>Prepared By:</b>	<b>Date:</b>

### Technical Specifications

#### Compliance

**UL Listed:**

Suitable for wet locations

#### Construction

**Material:**

Precision die cast or stamped aluminum. Spring loaded covers. .

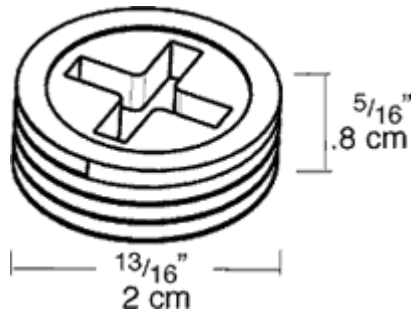
**Screws:**

6-32 Nickel Plated Brass

**Diameter:**

1/2"

## Dimensions



## Features

- Sturdy, clear cover for easy visibility
- Thick weather seal gaskets
- Mounting hardware supplied
- Close-up plugs allow Phillips or slotted screwdrivers for easy installation
- RAB's distinctive see-thru weatherproof packaging has all the information you need
- Clear PVC plastic turtle cover with lockable latch
- Smooth edged electrical cord slots