



Direct light down with a dome reflector or to the side with an angle reflector. Highly reflective surfaces over heavy gauge aluminum base. Field installable with 4 screws provided with fixture.

Color: White

Weight: 2.0 lbs

Project:

Type:

Prepared By:

Date:

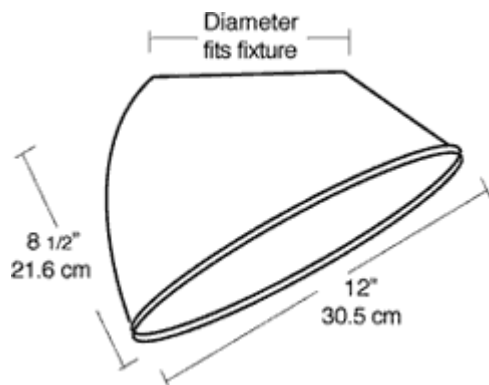
Technical Specifications

Construction

Reflectors:

Heavy gauge aluminum with highly reflective white epoxy powder coat finish

Dimensions



Features

- Accessory reflectors and exit signs available
- Cast aluminum junction box also serves as a hanger box for pendant fixtures
- Heavy gauge die formed aluminum
- Reflectors with white polyester powder finish