



Die cast aluminum construction with sturdy wall mounting bracket. Medium base socket and a variety of globes. incandescent lamp A21 for 100 Series, PS25 for 200 Series. Lamp not supplied.

Color: Natural

Weight: 2.6 lbs

<b>Project:</b>	<b>Type:</b>
<b>Prepared By:</b>	<b>Date:</b>

Lamp Info		Ballast Info	
Type	A19	Type	N/A
Watts	75W	120V	N/A
Shape/Size	N/A	208V	N/A
Base	N/A	240V	N/A
ANSI	N/A	277V	N/A
Hours	N/A	Input Watts	N/A
Lamp Lumens	N/A		
Efficacy	N/A		

**Technical Specifications**

**Compliance**

**UL Listed:**

Suitable for wet locations. Suitable for use in dwellings. Suitable for use with 90°C supply wiring. Complies with UL Standard 1598. For non-hazardous locations where the lamp, socket and wiring require protection from rain, corrosive fumes, non-combustible dusts, moisture, non-explosive vapors and gases.

**Electrical**

**Wattage:**

See catalog number chart for maximumWage with clear glass, colored glass and Permoglobes

**Socket:**

Premium porcelain with 150°C 8" leads attached. Fastened with 2 stainless steel screws.

**Maximum Watts:**

100W

**Construction**

**Optional Reflectors:**

Highly reflective white baked polyester epoxy powder finish over a heavy gauge aluminum base. Reflectors thread onto fixtures. See RV series.

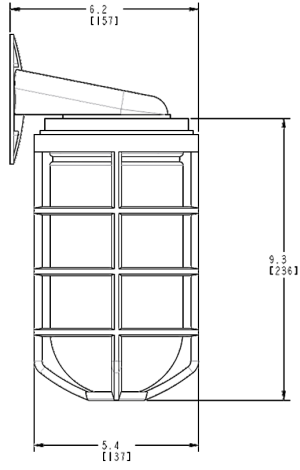
**Globe:**

Supplied with clear flat bottom prismatic polycarbonate globe. Not for use with diecast or wire guard.

**Optional Guard:**

Order flat bottom guard separately. CAT# GD200BAR.

## Dimensions



## Features

- Set screw keeps guard securely in place
- All stainless steel hardware
- Close-up plugs allow Phillips or slotted screwdrivers for easy installation
- High temperature silicone internal gaskets
- Premium porcelain socket with 150C 8" long leads attached