



Die cast aluminum construction. Mounts to existing surface or recessed 4" boxes. Adapter plate provided. Medium base socket and a variety of globes. incandescent lamp A21 for 100 Series, P525 for 200 series. Lamp not supplied.

Color: Natural

Weight: 2.4 lbs

<b>Project:</b>	<b>Type:</b>
<b>Prepared By:</b>	<b>Date:</b>

Lamp Info		Ballast Info	
Type	A19	Type	N/A
Watts	100W	120V	N/A
Shape/Size	N/A	208V	N/A
Base	N/A	240V	N/A
ANSI	N/A	277V	N/A
Hours	N/A	Input Watts	N/A
Lamp Lumens	N/A		
Efficacy	N/A		

**Technical Specifications**

**Compliance**

**UL Listed:**

Suitable for wet locations. Suitable for use in dwellings. Suitable for use with 90°C supply wiring. Complies with UL Standard 1598. For non-hazardous locations where the lamp, socket and wiring require protection from rain, corrosive fumes, non-combustible dusts, moisture, non-explosive vapors and gases. For lamp base up installation only when outdoors.

**Trade Agreements Act Compliant:**

This product is a product of Cambodia and a "designated country" end product that complies with the Trade Agreements Act

**Construction**

**Globes:**

Supplied with clear thermal shock resistant soda lime glass unless otherwise stated. Colored and white glass globes available. Unbreakable Permaglobes available in clear and in color.

**Die Cast Guard:**

Supplied with one piece die cast guard with set screw

**Electrical**

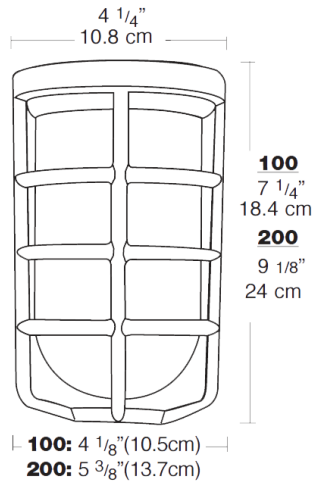
**Maximum Watts:**

100W

**Colored Globe Maximum Watts:**

100W

**Dimensions**



**Features**

- All stainless steel hardware
- Close-up plugs allow Phillips or slotted screwdrivers for easy installation
- UL Listed for use with 90°C supply wiring OK for use in dwellings and wet locations
- High temperature silicone internal gaskets
- Premium porcelain socket with 150C 8" long leads
- Clear heat resistant glass globes standard Polycarbonate Permaglobes sold separately