

Die cast aluminum construction. Mounts to existing surface or recessed 4" boxes. Adapter plate provided. Medium base socket and a variety of globes. incandescent lamp A21 for 100 Series, P525 for 200 series. Lamp not supplied.

Color: Natural

Weight: 1.1 lbs

Project:	Type:
Prepared By:	Date:

Lamp Info		Ballast Info	
Type	A19	Type	N/A
Watts	150W	120V	N/A
Shape/Size	N/A	208V	N/A
Base	N/A	240V	N/A
ANSI	N/A	277V	N/A
Hours	N/A	Input Watts	N/A
Lamp Lumens	N/A		
Efficacy	N/A		

Technical Specifications

Compliance

UL Listed:

Suitable for wet locations. Suitable for use in dwellings. Suitable for use with 90°C supply wiring. Complies with UL Standard 1598. For non-hazardous locations where the lamp, socket and wiring require protection from rain, corrosive fumes, non-combustible dusts, moisture, non-explosive vapors and gases. For lamp base up installation only when outdoors.

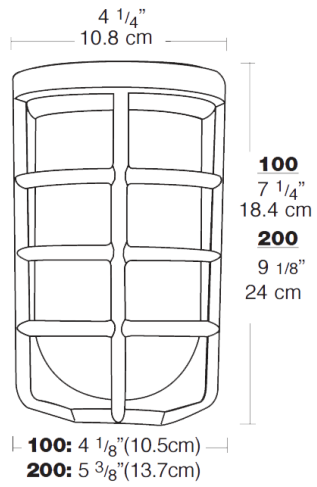
Construction

Globes:

Supplied with clear thermal shock resistant soda lime glass unless otherwise stated. Colored and white glass globes available. Unbreakable Permaglobes available in clear and in color.

No Guard or Globe Supplied:

Dimensions



Features

- All stainless steel hardware
- Close-up plugs allow Phillips or slotted screwdrivers for easy installation
- UL Listed for use with 90°C supply wiring OK for use in dwellings and wet locations
- High temperature silicone internal gaskets
- Premium porcelain socket with 150C 8" long leads
- Clear heat resistant glass globes standard Polycarbonate Permaglobes sold separately