



Die cast aluminum construction. Wall bracket plus junction box with sturdy mounting lugs. Medium base socket, 1/2" or 3/4" NPS hub size and a variety of globes. incandescent lamp A21 for 100 series, P525 for 200 Series. Lamp not supplied.

Color: Silver

Weight: 3.4 lbs

Project:	Type:
Prepared By:	Date:

Lamp Info		Ballast Info	
Type	A21	Type	N/A
Watts	150W	120V	N/A
Shape/Size	N/A	208V	N/A
Base	N/A	240V	N/A
ANSI	N/A	277V	N/A
Hours	N/A	Input Watts	N/A
Lamp Lumens	N/A		
Efficacy	N/A		

Technical Specifications

Compliance

UL Listed:

Suitable for wet locations. Suitable for use in dwellings. Suitable for use with 90°C supply wiring. Complies with UL Standard 1598. For non-hazardous locations where the lamp, socket and wiring require protection from rain, corrosive fumes, non-combustible dusts, moisture, non-explosive vapors and gases.

Electrical

Wattage:

See catalog number chart for maximumWage with clear glass, colored glass and Permaglobes

Socket:

Premium porcelain with 150°C 8" leads attached. Fastened with 2 stainless steel screws.

Maximum Watts:

150W

Colored Globe Maximum Watts:

100W

Construction

Globes:

Supplied with clear heat resistant glass globes unless otherwise stated. Colored and white glass globes available. Unbreakable RAB Permaglobes available in clear and in color.

Optional Reflectors:

Highly reflective white baked polyester epoxy powder finish over a heavy gauge aluminum base. Reflectors thread onto fixtures. See RV series.

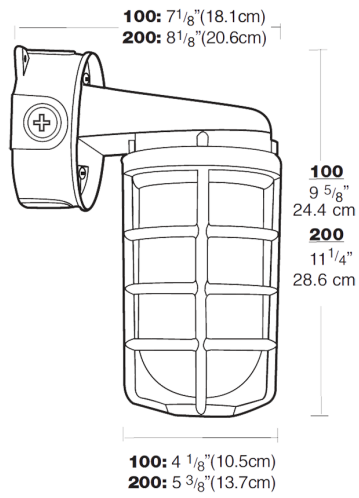
Die Cast Guard:

Supplied with one piece silver gray die cast guard with set screw

Hub Size:

3/4" Tapped

Dimensions



Features

- Set screw keeps guard securely in place
- Junction box with sturdy mounting lugs
- All stainless steel hardware
- Close-up plugs allow Phillips or slotted screwdrivers for easy installation
- High temperature silicone internal gaskets
- Premium porcelain socket with 150C 8" long leads attached