



Die cast aluminum wiring box with weatherproof gasket, ground screw, and two sturdy lugs for wall or ceiling mounting.

Color: Natural

Weight: 0.7 lbs

Project:

Type:

Prepared By:

Date:

Technical Specifications

Compliance

UL Listed:

Suitable for wet locations

Construction

Box Material:

Precision die cast aluminum

Gaskets:

1/8" thick closed cell EPDM Foam for long lasting seal that won't crumple or break

Screws:

10-24 Stainless steel Round Head Phillips/slotted

Ground Screw:

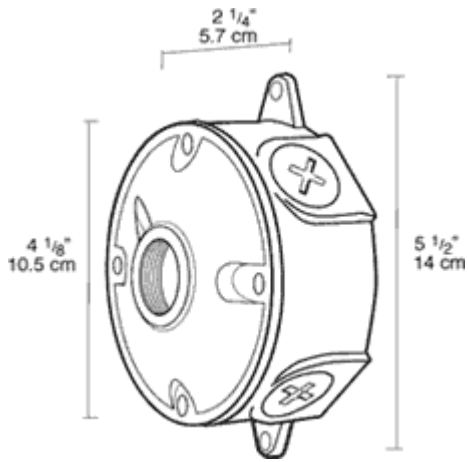
10-24 Green corrosion protected steel slotted washer head screw provided in pre-tapped hole

Box Diameter:

4"

Side Hole Thread Size:

1/2"

Dimensions**Features**

Stainless steel screws

Green hex slotted washer head ground screw in pre-tapped hole

Heavy die cast aluminum

Close-up plugs allow Phillips or slotted screwdrivers for easy installation

1/8" thick weather seal gasket is closed cell foam rubber for long lasting seal that won't crumble or break