

Fire-Rated Poke-Throughs
Furniture Feed
6-Inch Diameter Core Hole

HUBBELL

Features

- One 2-inch and one 3/4-inch NPT threaded hubs
- Die cast aluminum cover construction for enhanced durability
- UL Scrub Water Compliant
- ADA Compliant

Ordering Information

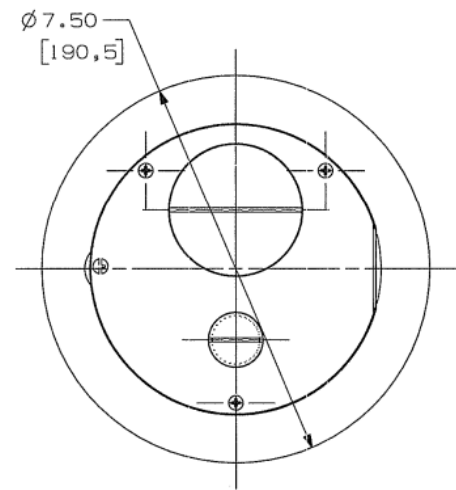
Style	Finish	UPC Number	Catalog Number
Surface Cover	Black	783585443508	S1R6FFCVRBLK

Listings

cULus Listed
UL scrub water compliant
UL 514A Listed

Specifications

Cover Material	Die Cast Aluminum
Flange height	0.13 in.
Load Rating	1000 lbs. static load through 3" diameter mandrel (w/ 2x safety factor)
Cover finish	Black powder paint



Related Products

Compatible with S1R6PTFIT
Divider Kit Ships with Cover to Maintain
Separation between Line and Low
Voltage Wiring

Online Resources

Customer Sales Drawings
eCatalog
Installation Instructions

Dimensions in Inches (mm)

Hubbell Wiring Device-Kellems • Hubbell Incorporated (Delaware) • 40 Waterview Drive • Shelton, CT 06484

Phone (800) 288-6000 • Fax (800) 255-1031 • Specifications subject to change without notice.

