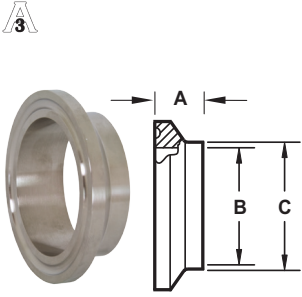


Ferrules

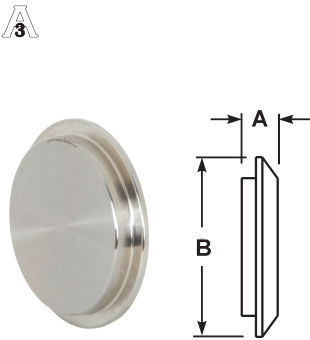
Q-line Weld Ferrules - 14WQ



Tube OD	Dimensions			304 Stainless Steel	
	A	B	C	Part #	Price/E
1"	.531"	.870"	1.000"	14WQ-G100	\$50.48
1½"	.563"	1.370"	1.500"	14WQ-G150	43.08
2"	.813"	1.870"	2.000"	14WQ-G200	78.07
2½"	.938"	2.370"	2.500"	14WQ-G250	91.79
3"	.938"	2.870"	3.000"	14WQ-G300	168.24
4"	1.000"	3.834"	4.000"	14WQ-G400	264.23

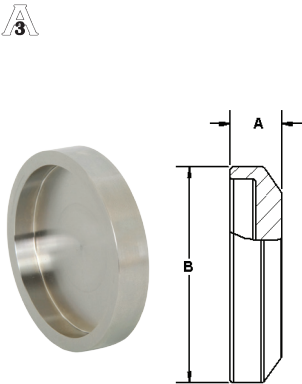
End Caps

Male I-line Solid End Caps - 16AI-14I



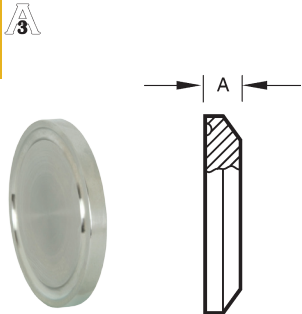
Tube OD	Dimensions		304 Stainless Steel		316L Stainless Steel	
	A	B	Part #	Price/E	Part #	Price/E
1"	.500"	1.985"	16AI-14I100	\$16.89	16AI-14I100R	\$57.26
1½"	.500"	1.985"	16AI-14I150	16.89	16AI-14I150R	57.26
2"	.562"	2.640"	16AI-14I200	25.84	16AI-14I200R	83.38
2½"	.750"	3.307"	16AI-14I250	43.27	16AI-14I250R	64.05
3"	.750"	3.870"	16AI-14I300	56.26	16AI-14I300R	186.62
4"	.750"	4.870"	16AI-14I400	96.33	16AI-14I400R	288.47
6"	.750"	7.495"	---	---	16AI-14I600R	1195.00
8"	.880"	9.495"	---	---	16AI-14I800R	1702.69

Female I-line Solid End Caps - 16AI-15I



Tube OD	Dimensions		304 Stainless Steel		316L Stainless Steel	
	A	B	Part #	Price/E	Part #	Price/E
1"	.500"	1.985"	16AI-15I100	\$16.89	16AI-15I100R	\$23.68
1½"	.500"	1.985"	16AI-15I150	16.89	16AI-15I150R	52.02
2"	.562"	2.640"	16AI-15I200	25.84	16AI-15I200R	84.87
2½"	.750"	3.307"	16AI-15I250	43.27	16AI-15I250R	191.62
3"	.750"	3.870"	16AI-15I300	56.26	16AI-15I300R	189.41
4"	.750"	4.870"	16AI-15I400	96.33	16AI-15I400R	140.23
6"	.750"	7.495"	---	---	16AI-15I600R	336.46
8"	.880"	9.495"	---	---	16AI-15I800R	551.38

Q-Line Solid End Caps - 16AQ



Tube OD	Dimension A	304 Stainless Steel	
	A	Part #	Price/E
1"	.313"	16AQ-G100	\$68.38
1½"	.313"	16AQ-G150	44.55
2"	.438"	16AQ-G200	64.10
2½"	.500"	16AQ-G250	176.92
3"	.500"	16AQ-G300	230.77
4"	.625"	16AQ-G400	292.30