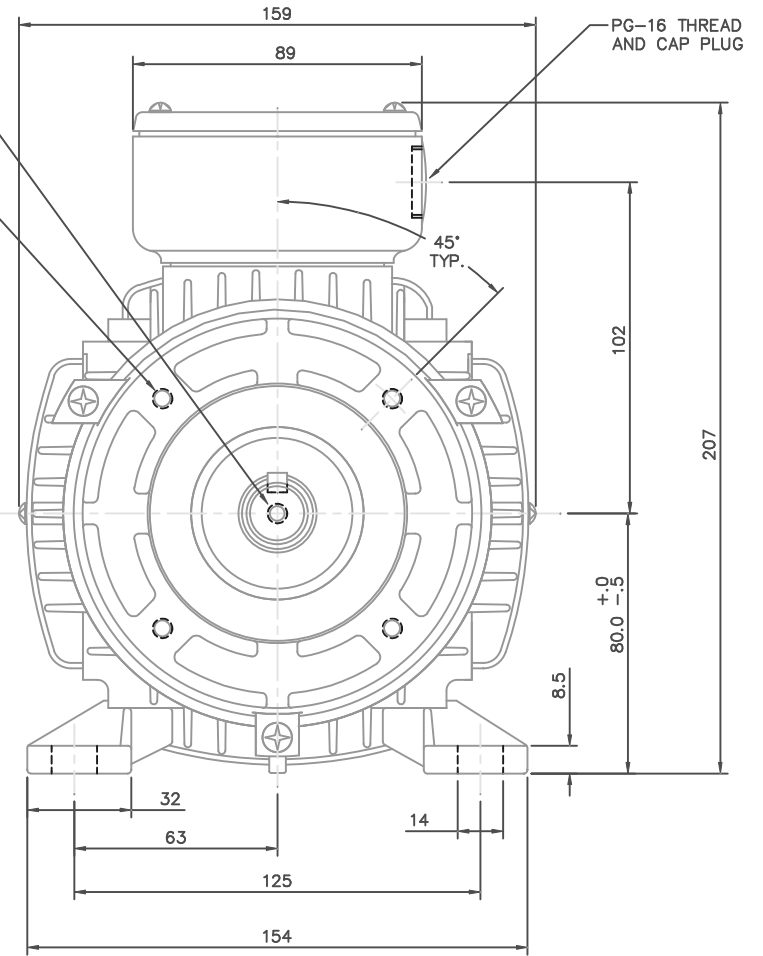


M6-1.00 x 16 DEEP R.H. THREADED SHAFT
 (4) M6-1.00 THRU-THREAD R.H. ON A Ø100.00 ±.17 B.C.



NO.		REVISION	BY & DATE	CHK	ANG	±1/2'	FINISH	LEESON ELECTRIC MOTORS GEARMOTORS AND DRIVES		DRAWN	ADS 01/30/02	
							TITLE		METRIC OUTLINE, IMB34 IEC-80 FRAME TEFC RIGID W/B14 FLANGE			
							MAT'L		ALUMINUM			
							CAD FILE		16986500		SIZE	B
							DRAWING NO.		169865-00			
							REV.					

THIS DRAWING IN DESIGN AND DETAIL IS OUR PROPERTY AND MUST NOT BE USED EXCEPT IN CONNECTION WITH OUR WORK. ALL RIGHTS OF DESIGN AND INVENTION ARE RESERVED. THIS IS AN ELECTRONICALLY GENERATED DOCUMENT - DO NOT SCALE THIS PRINT.